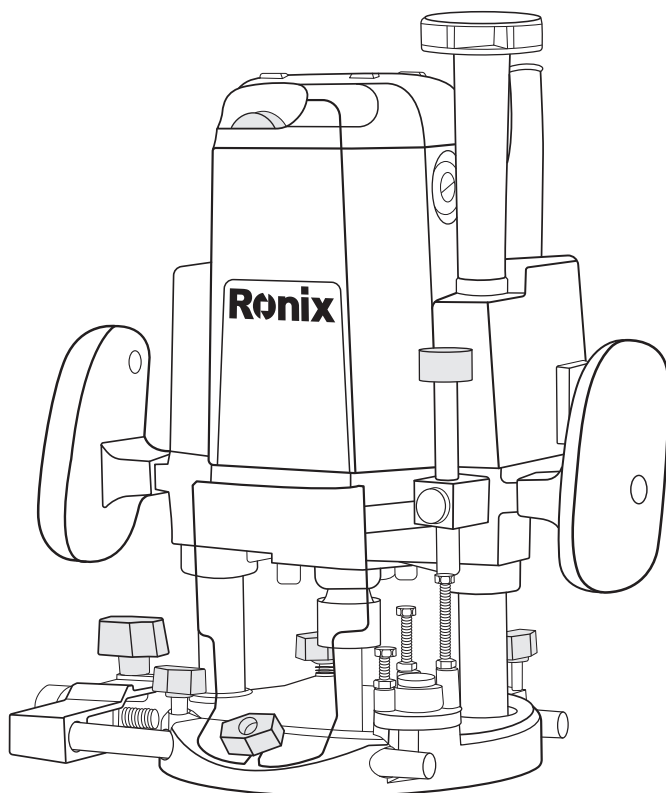


# Ronix<sup>®</sup>

Premium Quality

## ELECTRIC ROUTER

### 7112

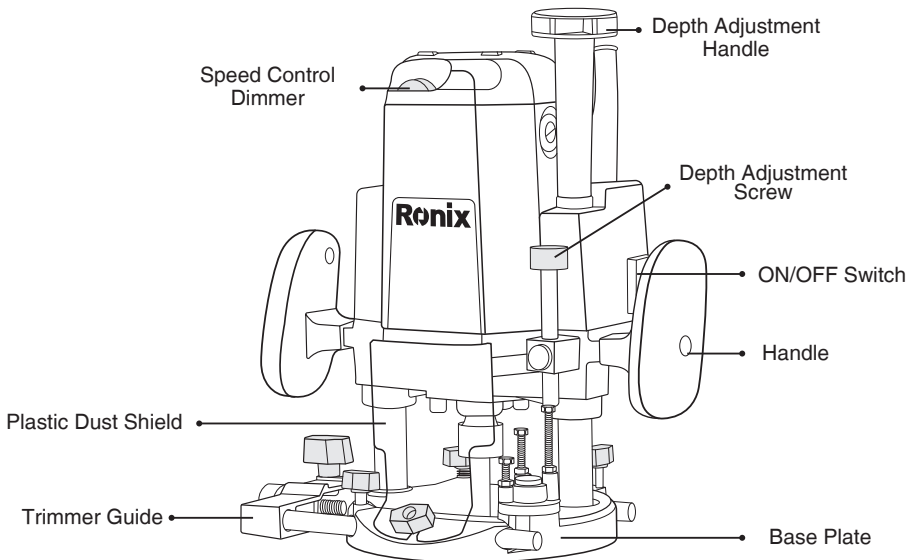


[www.ronixtools.com](http://www.ronixtools.com)

## SPECIFICATIONS

Model	7112
Power	1850W
Voltage	220-240V
Frequency	50-60Hz
Weight	6kg
Collet Size	6mm-8mm-12mm
No-load RPM	5,000-22,000 RPM
Supplied In	Ronix Color box
Includes	(2) Spanners, (2) Collet sleeve, (1) Flush trim router bit, (1) Dust plastic sheild, (1) Trimmer guide, (1) Straight guide, (1) Template guide, (1) Guide holder

## PARTS LIST



- Manufacturer reserves the right to change specifications without notice.
- specifications may differ from country to country.

## **GENERAL SAFETY RULES (FOR ALL TOOLS)**

### **⚠ WARNING:**

Read and understand all instructions. Failure to follow all instructions listed below, may result in electric shock, fire and/ or serious personal injury.

## **SAVE THESE INSTRUCTIONS**

### **WORK AREA**

1. Keep your work area clean and well lit. Cluttered benches and dark areas invite accidents.
2. Do not operate power tools in explosive atmospheres, such as in the presence of flammable liquids, gases or dust. Power tools create sparks which may ignite the dust or fumes.
3. Keep bystanders, children and visitors away while operating a power tool. Distractions can cause you to lose control.

### **ELECTRICAL SAFETY**

4. Power tool plugs must match the outlet. Never modify the plugs in any way. Do not use any adapter plugs with earthed power tools. Unmodified plugs and matching outlets will reduce risk of electric shock. Do not change the plug in any way. Double insulation eliminates the need for the three wire grounded power cord and grounded power supply system.
5. Avoid body contact with grounded surfaces such as pipes, radiators, ranges and refrigerators. There is an increased risk of electric shock if your body is grounded.
6. Do not expose power tools to rain or wet conditions. Water entering a

power tool will increase the risk of electric shock.

7. Do not abuse the cord. Never use the cord to carry the tools or pull the plug from an outlet. Keep cord away from heat, oil, sharp edges or moving parts. Replace damaged cords immediately. Damaged cord increase the risk of electric shock.

8. When operating a power tool outside, use an outdoor extension cord marked “W-A” or “W”. these cords are rated for outdoor use and reduce the risk of electric shock.

## **PERSONAL SAFETY**

9. Stay alert, watch what you are doing and use common sense when operating a power

tool. Do not use tool while tired or under the influence of drugs, alcohol, or medication. A moment of inattention while operating power tools may result in serious personal injury.

10. Dress properly. Do not wear loose clothing or jewelry. Contain long hair. Keep your hair, clothing, and gloves away from moving parts. Loose clothes, jewelry, or long hair can be caught in moving parts.

11. Avoid accidental starting. Be sure switch is off before plugging in. carrying tools with your finger on the switch or plugging in tools that have the switch on invites accidents.

12. Remove adjusting keys or wrenches before turning the tool on. A wrench or a key that is left attached to a rotating part of the tool may result in personal injury.

13. Do not overreach. Keep proper footing and balance at all times. Proper footing and balance enables better control of the tool in unexpected situations.

14. Use safety equipment. Always wear eye protection. Dust mask, non-skid safety shoes, hard hat, or hearing protection must be used for appropriate conditions. Ordinary eye or sun glasses are NOT eye protection.

## **TOOL USE AND CARE**

15. Use clamps or other practical way to secure and support the workpiece to a stable platform. Holding the work by hand or against your body is unstable and may lead to loss of control.

16. Do not force tool. Use the correct tool for your application. The correct tool will do the job better and safer at the rate for which it is designed.

17. Do not use tool if switch does not turn it on or off. Any tool that cannot be controlled with the switch is dangerous and must be repaired.

18. Disconnect the plug from the power source before making any adjustments, changing accessories, or storing the tool. Such preventive safety measures reduce the risk of starting the tool accidentally.

19. Store idle tools out of reach of children and other untrained persons. Tools are dangerous in the hands of untrained users.

20. Maintain tools with care. Keep cutting tools sharp and clean. Properly maintained tools with sharp cutting edges are less likely to bind and are easier to control.

21. Check for misalignment or binding of moving parts, breakage of parts, and any other condition that may affect the tools operation. If damaged, have the tool serviced before using. Many accidents are caused by poorly maintained tools.

22. Use only accessories that are recommended by the manufacturer for your model. Accessories that may be suitable for one tool, may become hazardous when used on another tool.

## **SERVICE**

23. Tool service must be performed only by qualified repair personnel. Service or maintenance performed by unqualified personnel could result in a risk of injury.

24. When servicing a tool, use only identical replacement parts. Follow instructions in the Maintenance section of the manual. Use of unauthorized parts or failure to follow Maintenance instructions may

create a risk of electric shock or injury.

## **SPECIFIC SAFETY RULES**

DO NOT let comfort of familiarity with product (gained from repeated use) replace strict adherence to router safety rules. If you use this tool unsafely or incorrectly, you can suffer serious personal injury.

1. Wear hearing protection during extended period of operation.
2. Handle the bits very carefully.
3. Check the bit carefully for cracks or damage before operation. Replace cracked or damaged bit immediately.
4. Hold tool by insulated gripping surfaces when performing an operation where the cutting tool may contact hidden wiring or its own cord. Contact with a “live” wire will make exposed metal parts of the tool “live” and shock the operator.
5. Avoid cutting nails. Inspect for and remove all nails from the workpiece before operation.
6. Hold the tool firmly with both hands.
7. Keep hands away from rotating parts.
8. Make sure the bit is not contacting the workpiece before the switch is turned on.
9. Before using the tool on an actual workpiece, let it run for a while. Watch for vibration or wobbling that could indicate improperly installed bit.
10. Be careful of the bit rotating direction and the feed direction.
11. Do not leave the tool running. Operate the tool only when hand-held.
12. Always switch off and wait for the bit to come to a complete stop before removing the tool from workpiece.
13. Do not touch the bit immediately after operation; it may be extremely hot and could burn your skin.
14. Always lead the power supply cord away from the tool towards the rear.
15. Do not smear the tool base carelessly with thinner, gasoline, oil or the like. This may cause cracks in the tool base.
16. Draw attention to the need to use cutters of the correct shank diameter and suitable for the speed of the tool.

17. Some material contains chemicals which may be toxic. Take caution to prevent dust inhalation and skin contact. Follow material supplier safety data.

## **SAVE THESE INSTRUCTIONS**

### **WARNING:**

MISUSE or failure to follow the safety rules stated in this instruction manual may cause serious personal injury.

### **■SYMPOLS**

The following show the symbols used for the tool.

V - Voltage

A - ampere

Hz - hertz

n - no load speed.

--/min - revolution or reciprocation per minute

- class II construction

### **CAUTION:**

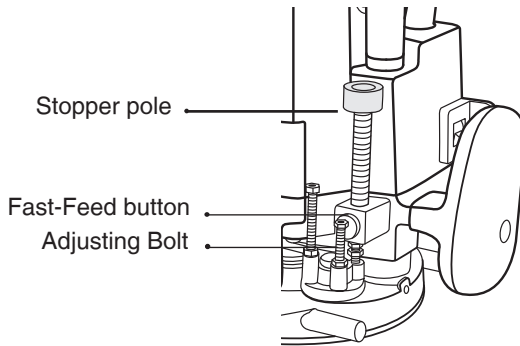
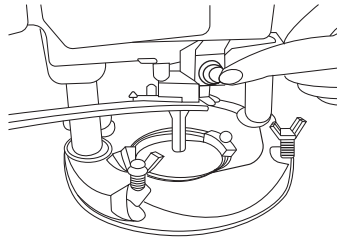
- Always be sure that the tool is switched off and unplugged before carrying out any work on the tool.

### **■INSTALLING OR REMOVING THE BIT**

### **CAUTION:**

- Install the bit securely. Always use only the wrench provided with the tool. A loose or overtightened bit can be dangerous.

## FUNCTIONAL DESCRIPTION



## ADJUSTING THE DEPTH OF CUT

1. Place the tool on a flat surface. Loosen the lock lever and lower the tool body until the bit just touches the flat surface. Press the lock lever down to lock the tool body. Now lower the stopper pole until it makes contact with the adjusting hex bolt. The stopper pole can be moved rapidly by depressing the fast-feed button. While pressing the fast-feed button, raise the stopper pole until the desired depth of cut is obtained. The depth of cut is equal to the distance between the stopper pole and the adjusting hex bolt. Stopper pole travel can be checked with the scale (1mm or 1/16" per graduation) on the tool body. Minute depth



adjustments can be obtained by turning the stopper pole (1.5 mm or about 1/16" per turn).

2. Now, your predetermined depth of cut can be obtained by loosening the lock lever and then lowering the tool body until the stopper pole makes contact with the adjusting hex bolt.

**⚠ CAUTION:**

- Since excessive cutting may cause overload of the motor or difficulty in controlling the tool, the depth of cut should not be more than 15 mm at a pass when cutting grooves. When you wish to cut grooves more than 15mm deep, make several passes with progressively deeper bit settings dangerously.

- Do not tighten the collet nut without inserting a bit or install small shank bits without using a collet sleeve. Either can lead to breakage of the collet cone.

1. Insert the bit all the way into the collet cone. Press the shaft lock to keep the shaft stationary and use the wrench to tighten the collet nut securely. When using router bits with smaller shank diameter, first insert the appropriate collet sleeve into the collet cone, then install the bit as described (Fig1) above.

2. To remove the bit, follow the installation procedure in reverse



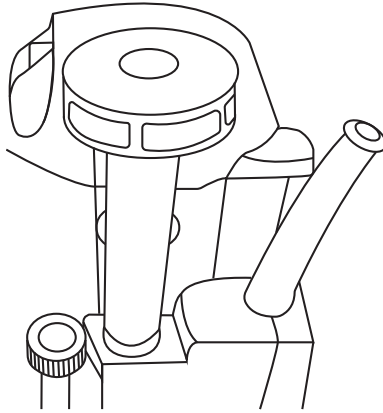
## **ADJUSTING THE MAIN DEPTH OF CUT**

By turning the knob, the upper limit of the tool body can be adjusted.

When the tip of the bit is retracted more than required in relation to the base plate surface, turn the knob to lower the upper limit.

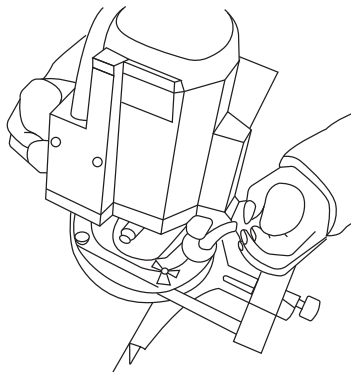
**⚠ CAUTION:**

- Do not lower the knob too low. The bit will protrude dangerously

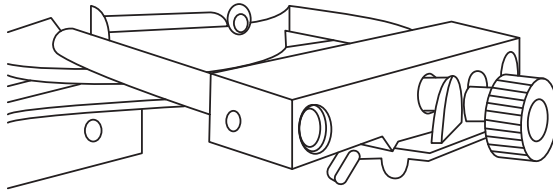


**■ STRAIGHT GUIDE**

The straight guide is effectively used for straight cuts when chamfering or grooving.



## SWITCH ACTION



### **⚠ CAUTION:**

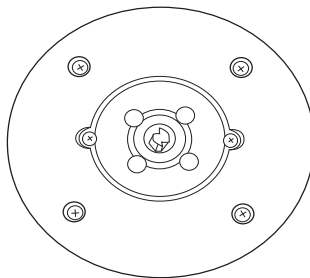
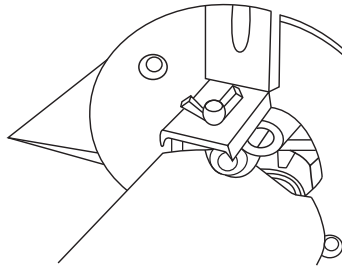
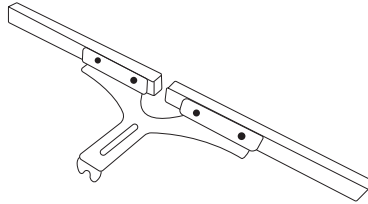
- Before plugging in the tool, always check to see that the tool is switched off.
  - Switch can be locked in “ON” position for ease of operator comfort during extended use. Apply caution when locking tool in “ON” position and maintain firm grasp on tool.
  - Make sure that the shaft lock is released before the switch is turned on.
  - Hold the tool firmly when turning off the tool, to overcome the reaction.
1. To start the tool, move the switch lever to the I (ON) position.
  2. To stop the tool, move the switch lever to the O (OFF) position.
  3. The tool speed can be changed by turning the speed adjusting dial to a given number setting from 1 to 6. Higher speed is obtained when the dial is turned in the direction of number 6. And lower speed is obtained when it is turned in the direction of number 1.

## HOW TO USE THE STRAIGHT GUIDE

1. Install the straight guide on the guide holder with the wing bolt (B). Insert the guide holder into the holes in the tool base and tighten the wing bolt (A). to adjust the distance between the bit and the straight guide, loosen the wing bolt (B) and turn the fine adjusting screw. At the desired distance, tighten the wing bolt (B) to secure the straight guide in place. (Fig6)
2. Wider straight guide of desired dimensions may be made by using the convenient holes in the guide to bolt on extra pieces of wood.  
When using a large diameter bit, attach pieces of wood to the straight

guide which have a thickness of more than 15 mm (5/8") to prevent the bit from striking the straight guide.(Fig 7)

3. When cutting, move the tool with the straight guide flush with the side of the workpiece.



## MAINTENANCE & DAILY CHECK

### CAUTION:

Always be sure that the tool is switch off and unplugging before attempting to perform inspection and maintenance.

1. The tool and its air vents have to be keep clean, regularly clean the tool's air vents or whenever the vents start to become obstructed
2. Check the all screws if be loosened or not periodically.
3. Check the cord insulation if broken or not.

### ■ TRIMMER GUIDE

1. Trimming, curved cuts in veneers for furniture and the like can be done easily with the trimmer guide. The guide roller rides the curve and assures a fine cut.
2. Install the trimmer guide method please refer to the straight guide installation procedure.
3. When cutting, move the tool with the guide roller riding the side of the workpiece.

### ■ TEMPLET GUIDE

1. To install the templet guide, loosen the screws on the tool base. Insert the templet guide and then tighten the screws.
2. Secure the templet to the workpiece. Place the tool on the templet and move the tool with the templet guide sliding along the side of the templet.

### ■ EFFECTIVE AND SAFE FOR CUTTING

### CAUTION:

- Before operation, always make sure that the tool body automatically

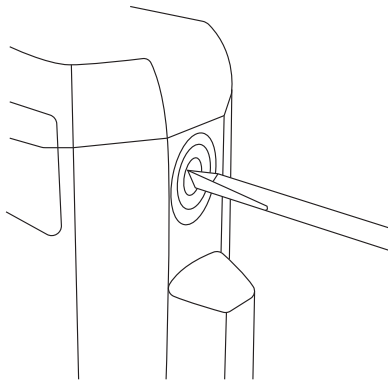
rises to the upper limit and the bit does not protrude from the tool base when the lock lever is loosened.

- Before operation, always make sure that the chip deflector is installed properly.

1. Set the tool base on the workpiece to be cut without the bit making any contact. Then turn the tool on and wait until the bit attains full speed. Lower the tool body and move the tool forward over the workpiece surface, keeping the tool base flush and advancing smoothly until the cutting is complete.

2. When doing edge cutting, the workpiece surface should be on the left side of the bit in the feed direction.

3. Moving the tool forward too fast may cause a poor quality of cut, or damage to the bit or motor. Moving the tool forward too slowly may burn and mar the cut. The proper feed rate will depend on the bit size, the kind of workpiece and depth of cut. Before beginning the cut on the actual workpiece, it is advisable to make a sample cut on a piece of scrap lumber. This will show exactly how the cut will look as well as enable you to check dimensions.



## REPLACING CARBON BRUSHES

1. Remove and check the carbon brushes regularly. Replace when the tool occurs obvious sparks or wear down to the limit mark.

2. Both carbon brushes should be replaced at the same time. Use only

Ronix brushed provide.

3. Use a screwdriver to remove the brush holder caps. Take out the worn carbon brushes, insert the new ones and secure the brush holder caps



**CAUTION:**

Be sure to re-install the knob after inserting new carbon brush.

After replacing brushes, plug in the tool and break in brushes by running tool with no load for about 10 minutes. Then check the tool while running, when releasing the switch trigger. If the tool is not working well, ask your local Ronix service center for repair.

To maintain product SAFETY and RELIABILITY, repairs, any other maintenance or adjustment should be performed by Ronix Authorized or Factory service centers, always using Ronix replacement parts.





**Ronix**<sup>®</sup>  
Premium Quality

[www-ronixtools.com](http://www-ronixtools.com)