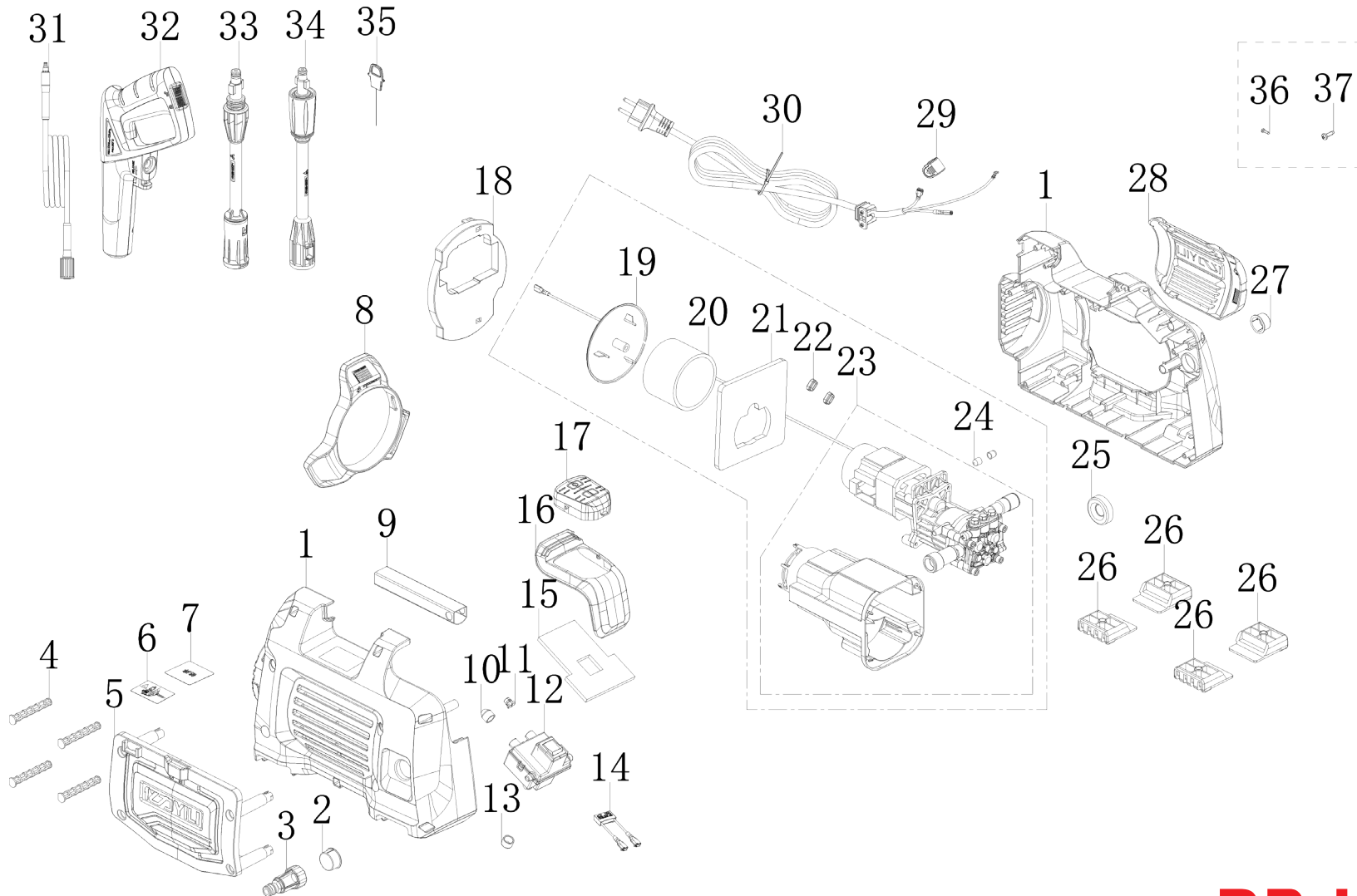


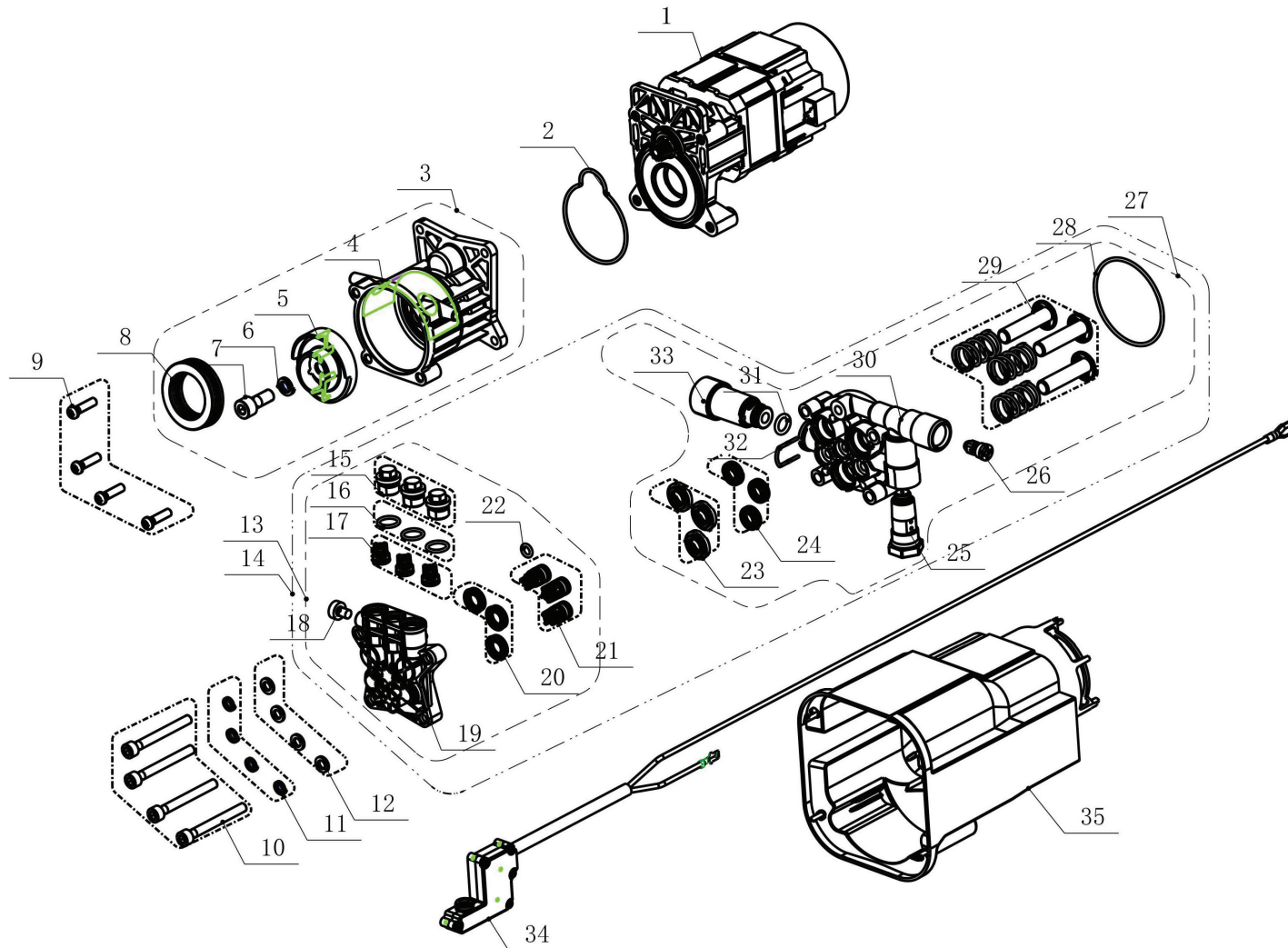
Housing



| Number | Name |
|--------|--------------------------------------|
| 1 | machine housing kit |
| 2 | water outlet tube sheath |
| 3 | Inlet water nut ass'y |
| 4 | accessories holder |
| 5 | fix-pin |
| 6 | warning label |
| 7 | rating label |
| 8 | power cord holder |
| 9 | handle |
| 10 | waterproof cover |
| 11 | waterproof plug |
| 12 | switch box kit |
| 13 | waterproof jacket |
| 14 | Capacitor |
| 15 | filter net for switch |
| 16 | decorative penal for switch |
| 17 | foodboard |
| 18 | air damper board |
| 19 | fan for motor |
| 20 | front filter for fan cover |
| 21 | back filter for fan cover |
| 22 | Sheath for fan cover |
| 23 | motor-pump kit (AL)without fan cover |
| 24 | damping ring |
| 25 | waterproof ring |
| 26 | buffer |
| 27 | water outlet tube sheath |
| 28 | decorative sheet |
| 29 | clip |
| 30 | power cord kit |

| Number | Name |
|-------------|--------------------|
| 31 | high pressure hose |
| 32 | YLG07 gun |
| 33 | YLG07 lance |
| 34 | middle lance |
| 35 | pin |
| 36 | ST screw 3*12 |
| 37 | screw 4.8*16 |
| 38-optional | quick connector |

Motor



| Number | Name |
|--------|------------------------------------|
| 1 | motor (AL) |
| 2 | peach-shape ring |
| 3 | gear box assemble |
| 4 | gear-box |
| 5 | wobble disc |
| 6 | spring washer \varnothing 8 |
| 7 | M8*20/ROHS |
| 8 | thrust bearing |
| 9 | ST screw |
| 10 | M6*55/ROHS |
| 11 | spring washer \varnothing 6-ROHS |
| 12 | washer \varnothing 6 |
| 13 | Pump head kit |
| 14 | PUMP kit (YLP11L01) |
| 15 | valve plug |
| 16 | o-ring |
| 17 | check valve kit |
| 18 | ST screw |
| 19 | pump head |
| 20 | water seal 10x16x4 |
| 21 | inlet valve kit |
| 22 | o-ring |
| 23 | sealing base |
| 24 | piston oil seal |
| 25 | bypass-kit |
| 26 | total valve kit |
| 27 | pump body assemble |
| 28 | o-ring |
| 29 | piston KIT |
| 30 | piston guider |

| Number | Name |
|--------|------------------|
| 31 | o-ring |
| 32 | U-pin |
| 33 | inlet pipe |
| 34 | micro-switch kit |
| 35 | fan cover cap |