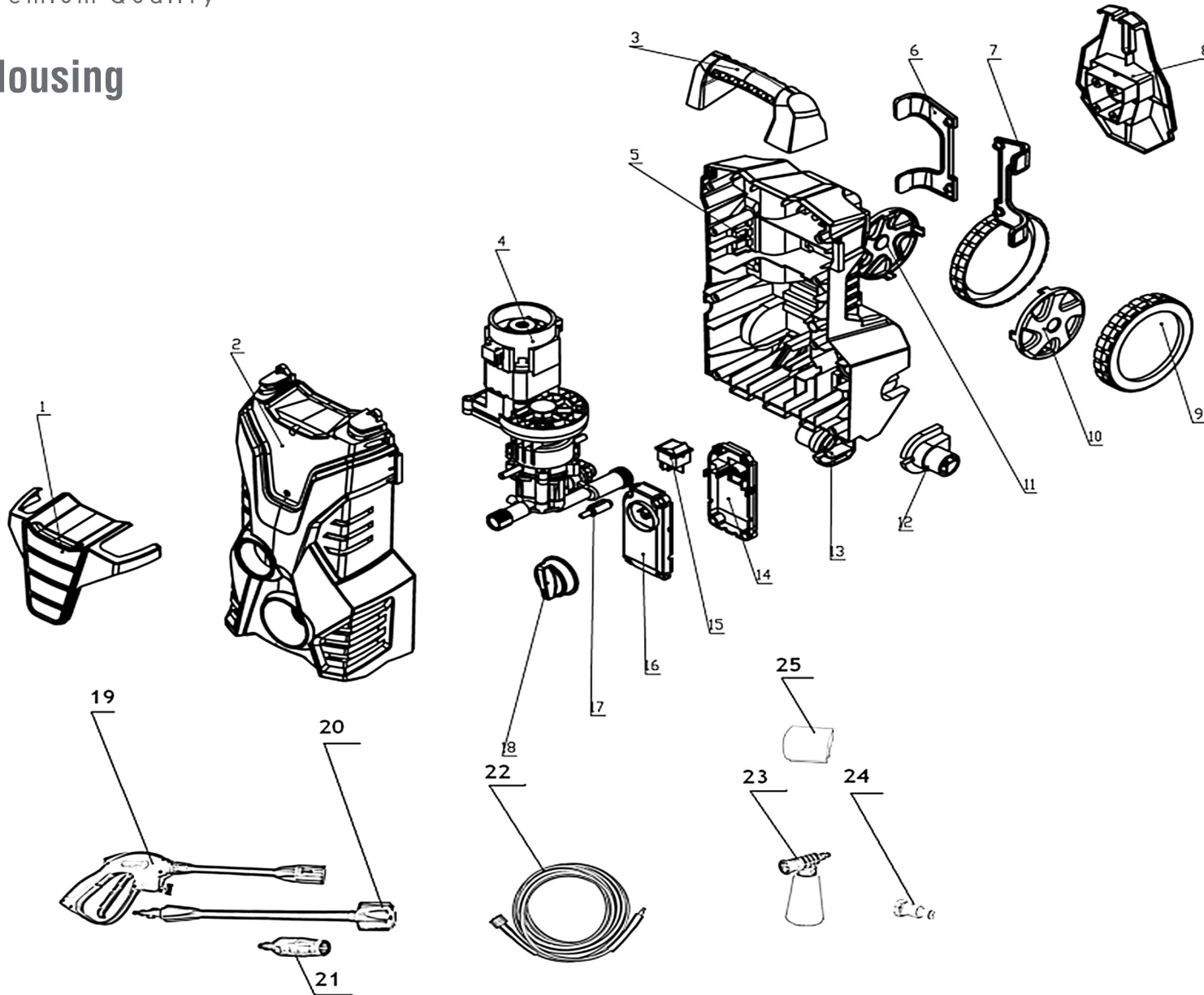


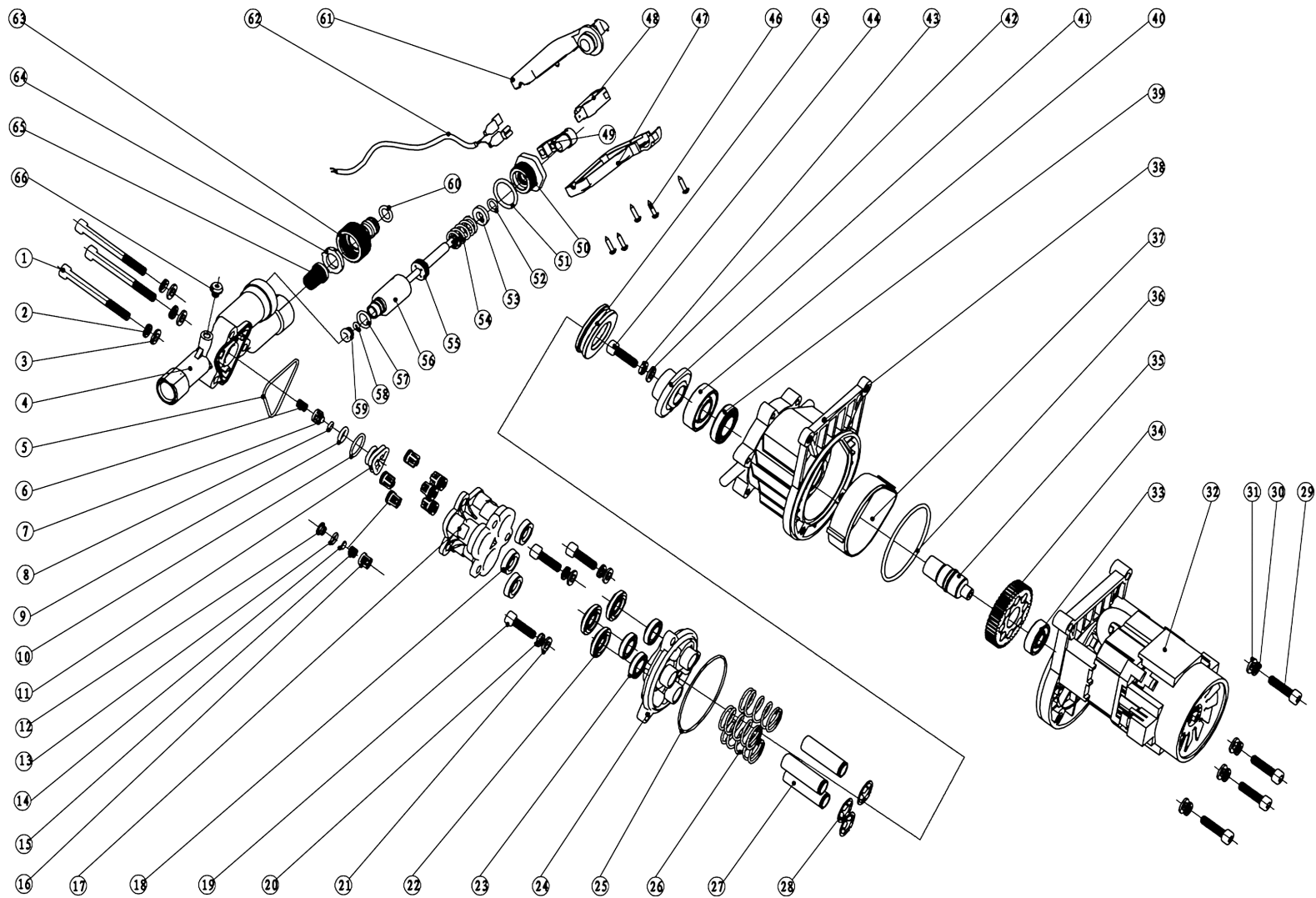
Housing



POWER TOOLS

Number	Name
1	Decoration case
2	Top cover
3	Handle
4	Pump & motor
5	Base cover
6	Right cable reel baffle
7	left cable reel baffle
8	cable reel
9	wheels
10	left wheel cover
11	Right wheel cover
12	left wheel shaft
13	Right wheel shaft
14	Switch box cover
15	Switch
16	Switch box
17	Switch joint
18	Switch knob
19	Spray gun
20	Gun lance
21	Spray nozzle
22	5M high pressure hose
23	Detergent bottle
24	Water inlet joint
25	Gun hook
	1/2HPC connector
	Turbo nozzle

Motor



Number	Name
1	Screw
2	Spring gasket
3	Flat gasket
4	Pump cover
5	Seal
6	General valve spring
7	Valve core
8	O ring
9	O ring
10	O ring
11	General valve seat
12	Valve cover
13	O ring
14	Valve plates
15	valve spring
16	valve seat
17	pump
18	Y water seal
19	Screw
20	Spring gasket
21	Flat gasket
22	Guide ring
23	Oil seal
24	Plunger frame
25	O ring
26	Plunger spring
27	Plunger
28	Plunger spring seat
29	Screw
30	Spring gasket
31	Flat gasket
32	Motor
33	Bearing

Number	Name
34	Gearwheel
35	Transmission shaft
36	O ring
37	Cylinder gasket
38	Cylinder
39	Oil seal ring
40	Bearing
41	Cam
42	Flat gasket
43	Spring gasket
44	Screw
45	Thrust bearing
46	Screw
47	Rear cover
48	Micro switch
49	Push arm
50	Overflow valve plug
51	O ring
52	O ring
53	Retaining ring
54	Overflow valve spring
55	Push rod
56	push rod seat
57	O ring
58	O ring
59	push rod seat cover
60	O ring
61	Top cover
62	Inner wire
63	Connector A
64	Connector A gasket
65	Filter
66	Screw