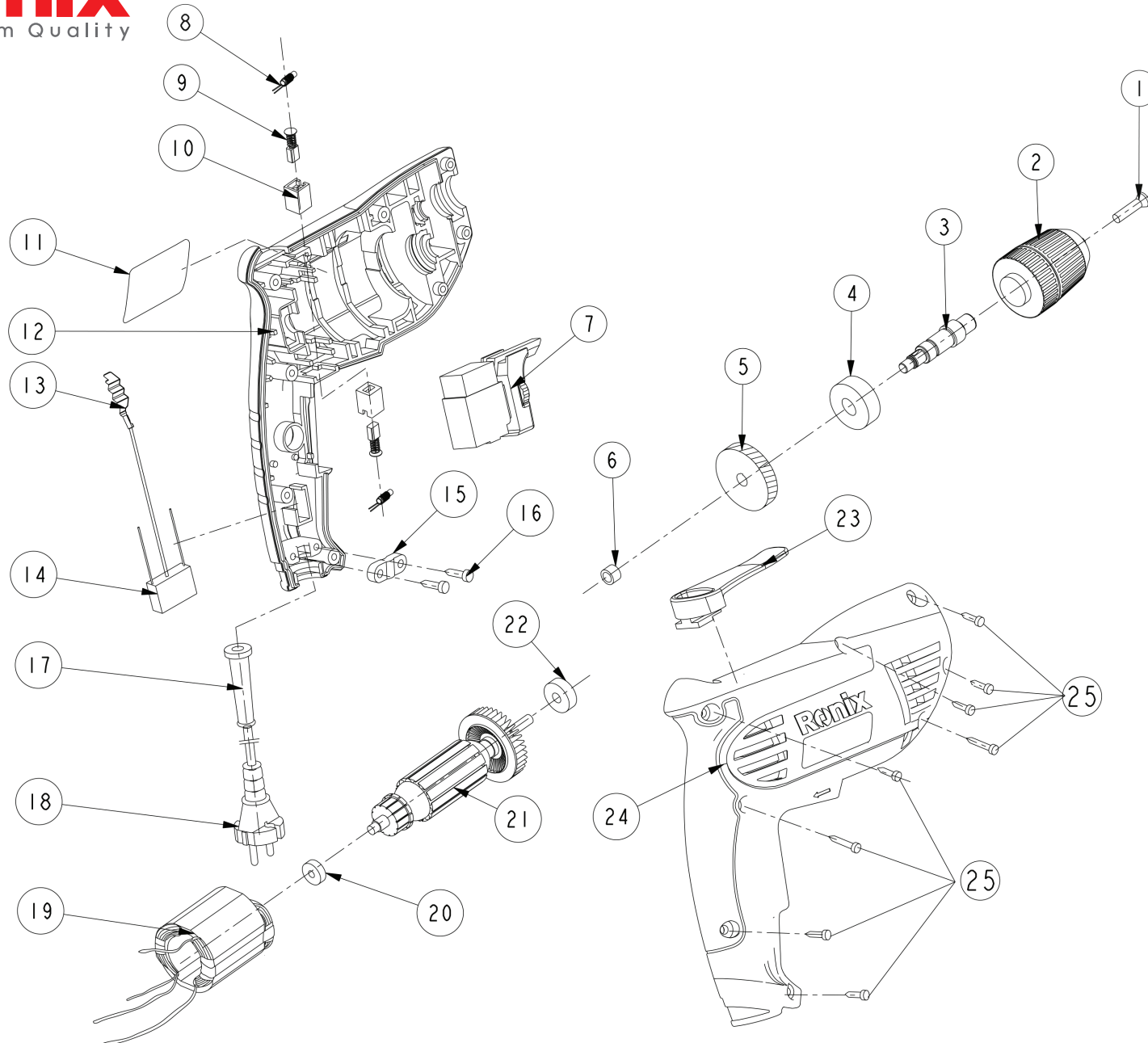


POWER TOOLS



Number	Name
1	Screw M5x25-L
2	Chuck
3	Out Spindle
4	Bearing 6000
5	Gear
6	Bearing
7	Switch
8	Inductor
9	Carbon Brush
10	Brush Holder
11	Lable
12	Left Housing
13	Flake
14	Capacitor
15	Cable Clip
16	Tapping Screw
17	Cable Arbor
18	Cable
19	Stator
20	Bearing 626
21	Rotor
22	Bearing 627
23	Draftbar
24	Right Housing
25	Tapping Screw