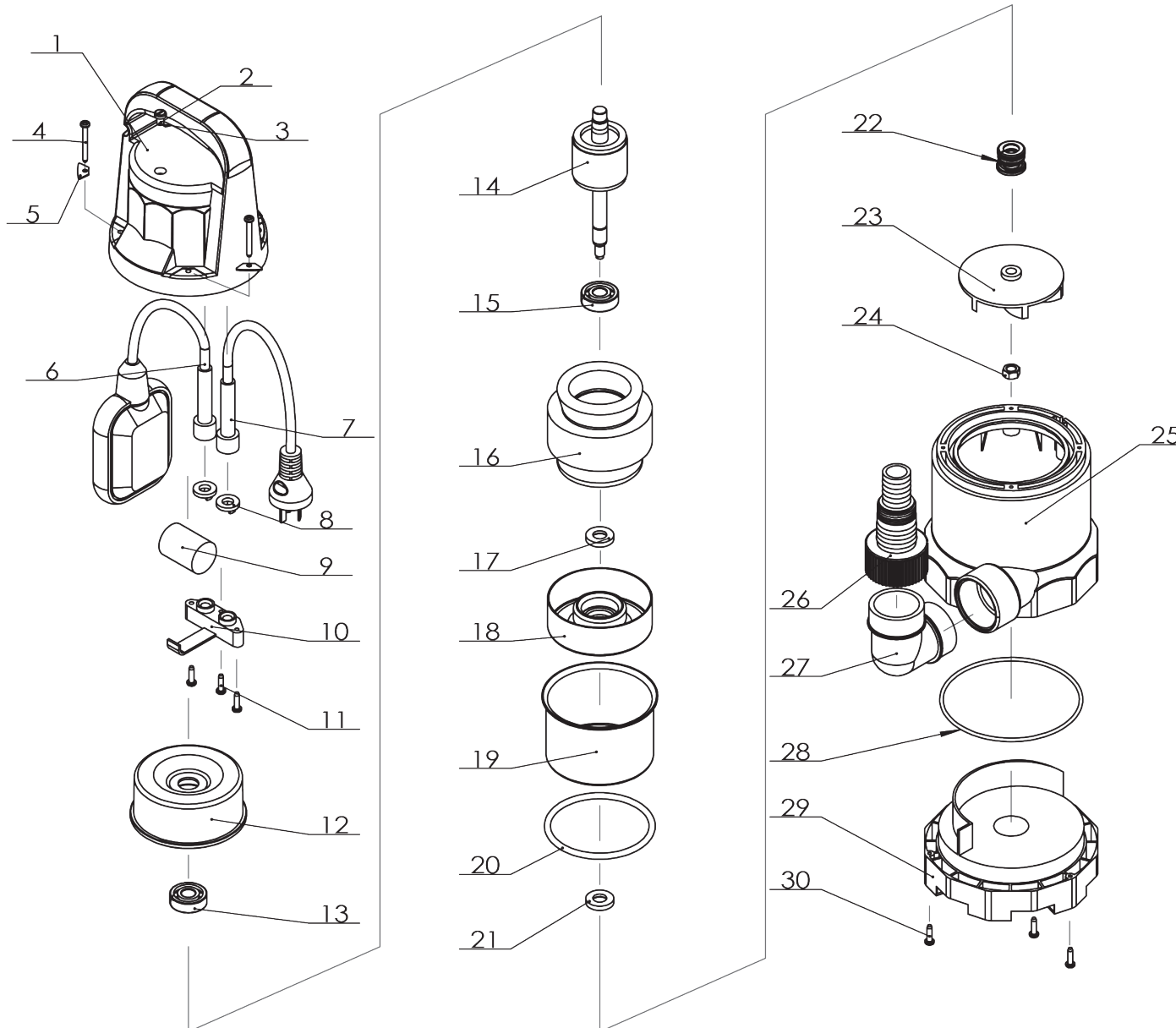


## POWER TOOLS



Number	Name
1	UPPER PUMP COVER
2	SCREW
3	O RING
4	SCREW
5	WASHER
6	FLOAT SWITCH
7	CABLE
8	CABLE PRESSER
9	CAPACITOR
10	WIRE CLIP
11	SCREW
12	UPPER BEARING COVER
13	BEARING
14	SHAFT OF ROTOR
15	BEARING
16	STATOR
17	OIL SEAL
18	DOWN BEARING COVER
19	MOTOR HOUSING
20	O RING
21	OIL SEAL
22	MECHANICAL SEAL
23	IMPELLER
24	SCREW
25	PUMP BODY
26	OUTLET
27	BENT PIPE
28	O RING
29	BASE
30	SCREW