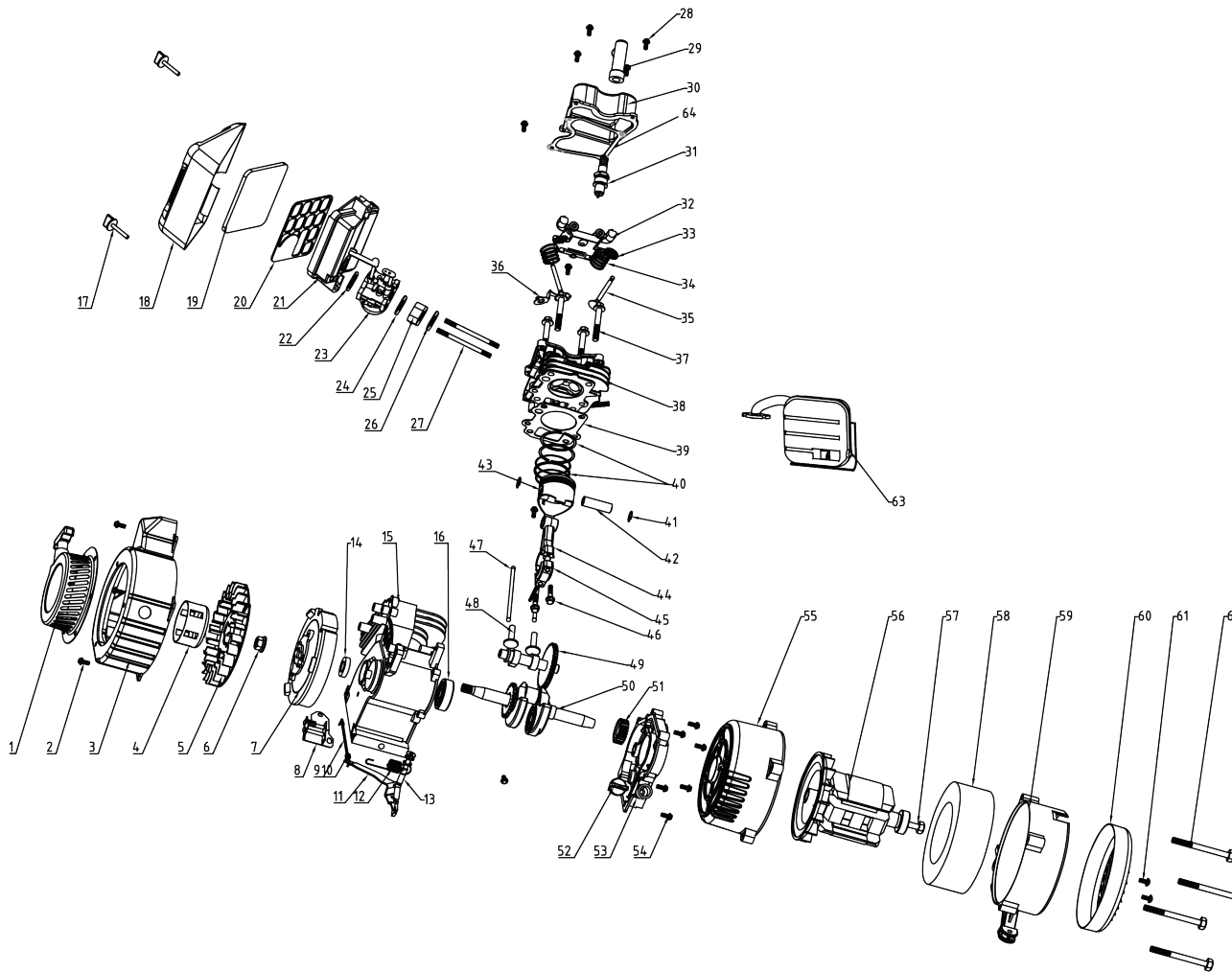


Number	Name
1	engine
2	bolt
3	fuel tank cover
4	fuel tank filter
5	fuel tank
6	machine frame
7	rubber feet
8	bolt
9	voltage meter
10	panel
11	ac socket
12	dc socket
13	ac circuit breaker
14	dc circuit breaker
15	switch
16	iron feet
17	capacitor



Number	Name
1	starter parts
2	bolt
3	lead wind cover
4	starting claw
5	fan
6	nut
7	flywheel
8	timing ban
9	timing pull pole
10	pull spring
11	timing arm
12	timing spring
13	cornute lever
14	seal,oil
15	crankcase
16	bearing 6203
17	air cleaner bolt
18	air cleaner cover
19	sponge
20	inlet ban
21	air cleaner ban
22	gasket 1
23	carburetor
24	gasket 2
25	adiabatic board
26	gasket 3
27	bolt
28	bolt
29	ignition block parts
30	cylinder cover
31	spark plug
32	rocker arm

Number	Name
34	valve spring
33	valve spring seat
35	valve
36	oil ban
37	bolt
38	cylinder
39	cylinder gasket
40	piston ring
41	clip spring
42	piston pin
43	piston
44	connecting rod body
45	connecting rod cover
46	connecting rod bolt
47	push rod
48	tappet
49	camshaft
50	crankshaft
51	crankshaft gear
52	oil gauge
53	crankcase cover
54	bolt
55	front cover
56	rotor
57	rotor bolt
58	stator
59	top cover
60	back cover
61	bolt M5x12
62	stator bolt
63	muffler
64	cylinder cover gasket