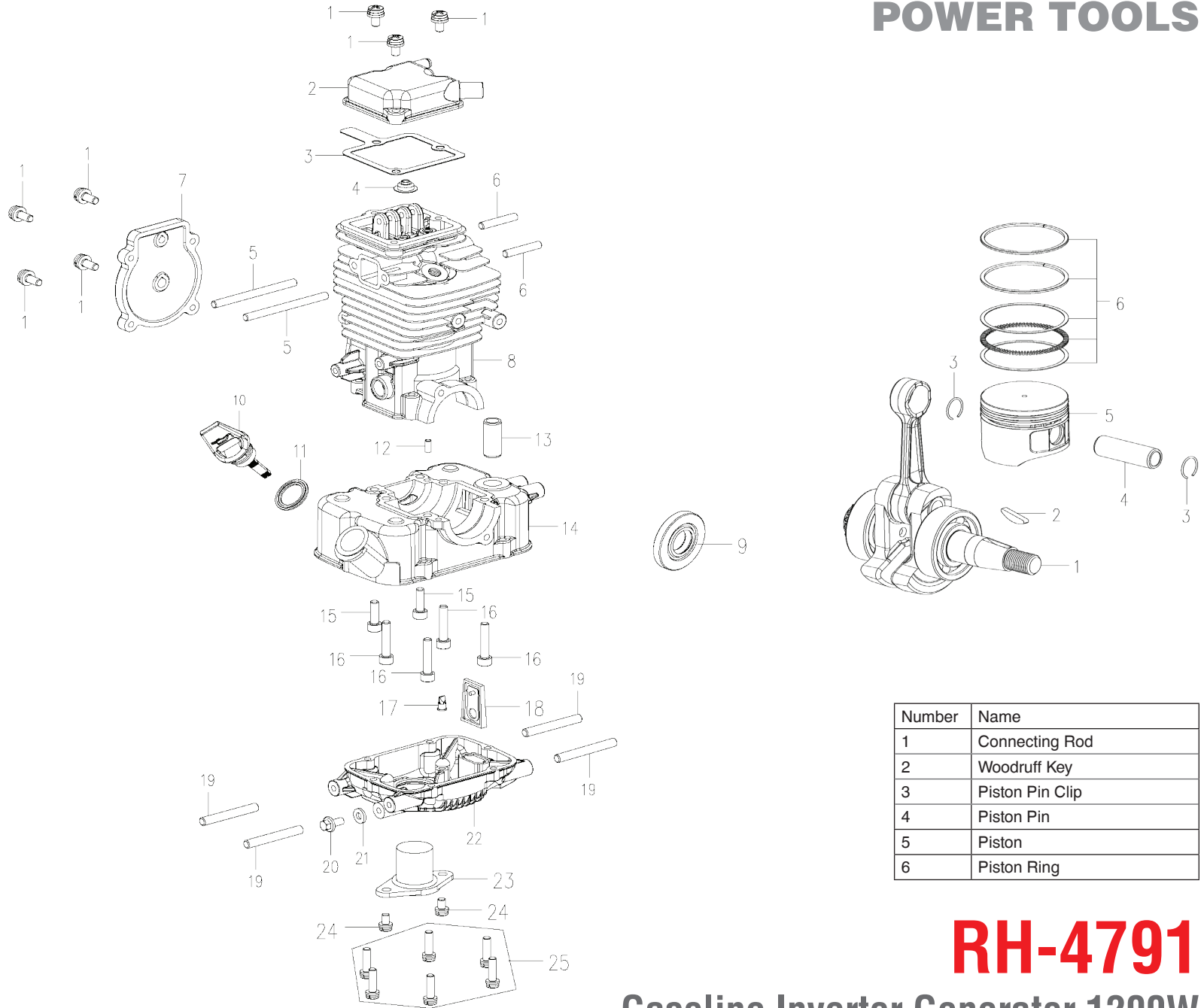
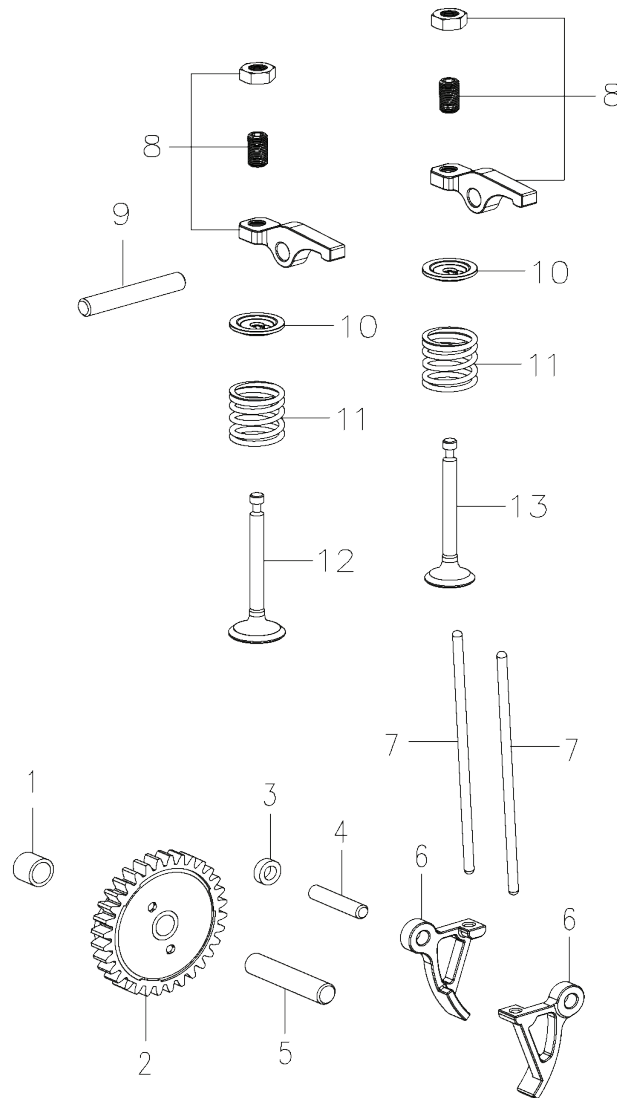


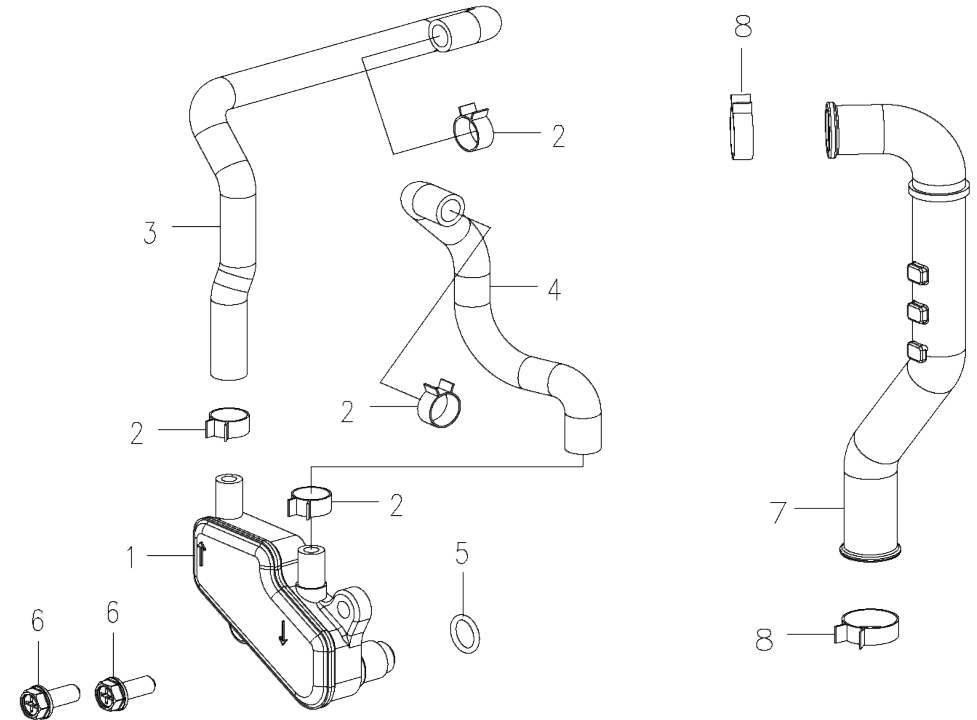
Number	Name
1	Screw M5x20
2	Cylinder Head Cover
3	Cylinder Head Cover Seal
4	Valve Oil Seal
5	Dual-Head Bolts M5x85
6	Dual-Head Bolts M5x28
7	Cam Chamber Cover
8	Upper Crankcase
9	Oil Seal 17x27x6
10	Oil Gauge
11	Oil Gauge Gasket
12	Dowel Pin 4x8
13	Ventilation Nozzle
14	Lower Crankcase
15	Screw M6x22
16	Screw M6x45
17	Rubber One-Way Valve
18	One-Way Valve Components
19	Dual-Head Bolts M6x36
20	Hexagon Flange Bolt M6x12
21	Aluminium Gasket 6x13x2
22	Oil Pan
23	Oil Lever Sensor
24	Screw M6x18
25	Screw M5x25



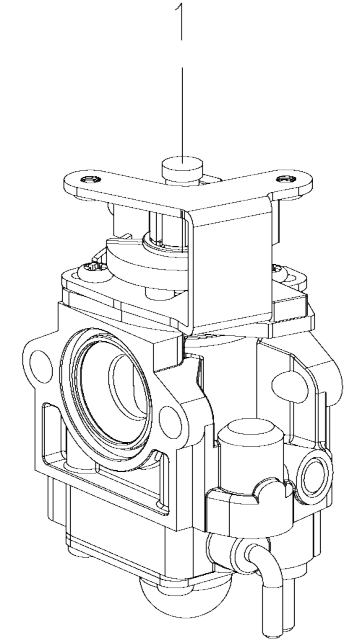
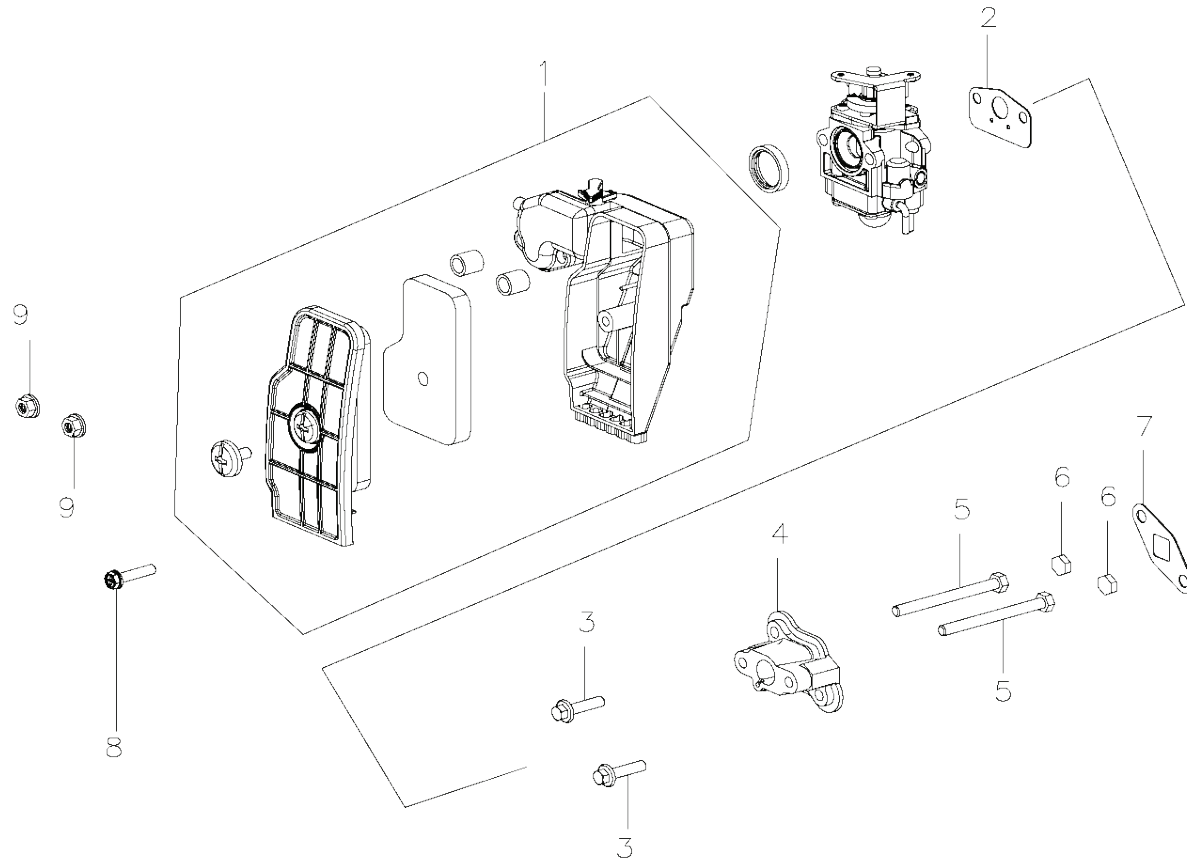
Number	Name
1	Connecting Rod
2	Woodruff Key
3	Piston Pin Clip
4	Piston Pin
5	Piston
6	Piston Ring



Number	Name
1	Dowel Bush
2	Camshaft
	Decompression of the pin
	Torsional spring
	Cover for cam
3	Rocker Gasket
4	Pin4 g4x30
5	Pin4 g7x34
6	Lower Rocker
7	Tappet
8	Upper Rocker
9	Pin 5 g5x34
10	Valve Spring Seat
11	Valve Spring
12	Intake Valve
13	Exhaust Valve

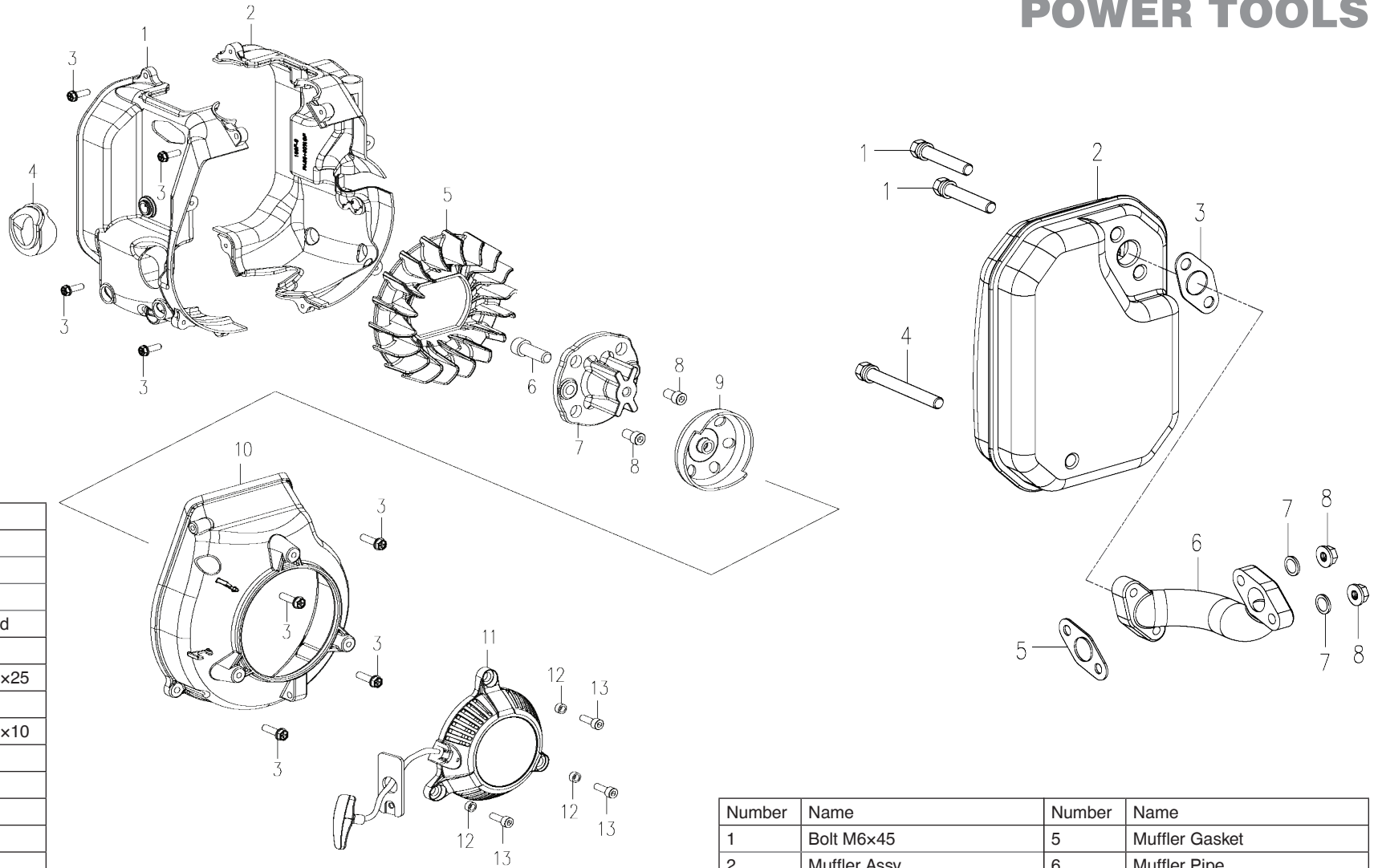


Number	Name	Number	Name
1	Deaerator	5	O Ring
2	Pipe Hoop 8/ 9	6	Hexagon Flange Bolt M5x16
3	Respiratory Tube	7	Upper Oil Pipe
4	Outlet Tube	8	Pipe Hoop 13



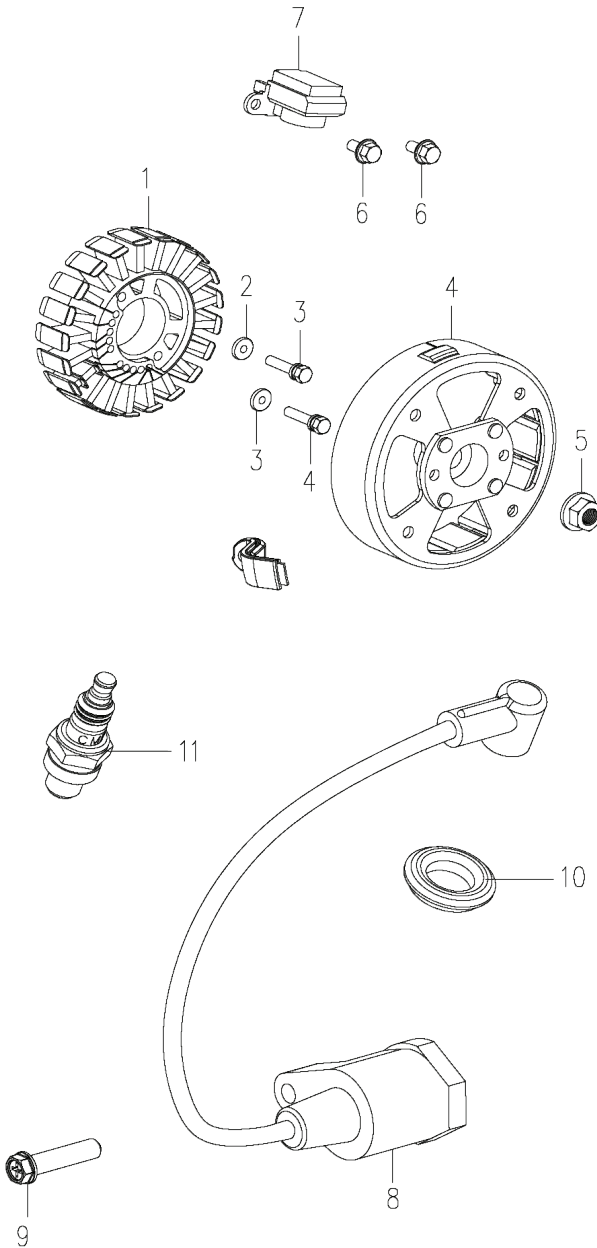
Number	Name	Number	Name	Number	Name
1	Air Cleaner Assy.	2	Carburator Gasket	6	rubber
	air filter cover	3	bolt M5X22	7	Insulation Board Gasket
	Foam	4	insulation board	8	Hexagon Flange Screw ST4.8X13
	big head chrome plated Screw	5	bolt M5X53	9	Hexagon Flange Bolts M5

Number	Name
1	Carburator Assy.



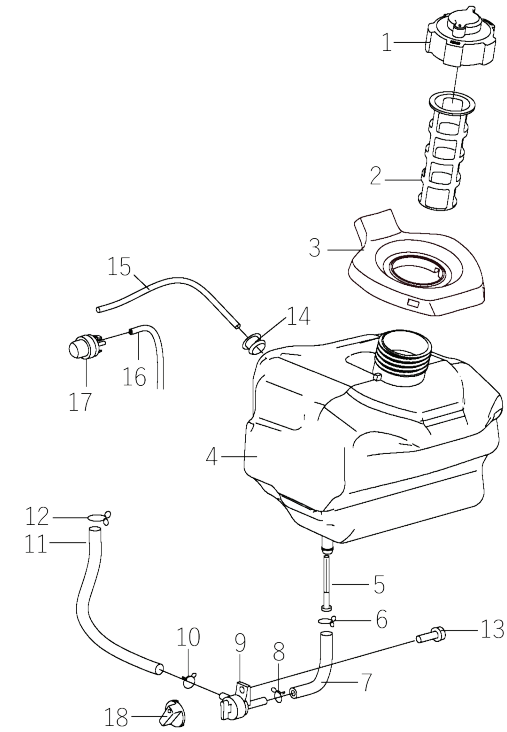
Number	Name
1	Air Guide Sleeve A
2	Air Guide Sleeve B
3	Tap Screw ST4.8×16-FH
4	Oil Filler Hole Airproof Pad
5	Cooling Fan
6	Inner Hexagon Screw M8×25
7	Starting Hub Seat
8	Inner Hexagon Screw M6×10
9	Starting Hub
10	Fan Volute
11	Recoil Starter Parts
	Handle
	Fender
12	Recoil Starter Bush
13	Hexagon Flange Bolts M5×16

Number	Name	Number	Name
1	Bolt M6×45	5	Muffler Gasket
2	Muffler Assy.	6	Muffler Pipe
3	Muffler Pipe Gasket	7	Washer 5
4	Bolt M6×70	8	Hexagon Flange Nut M5

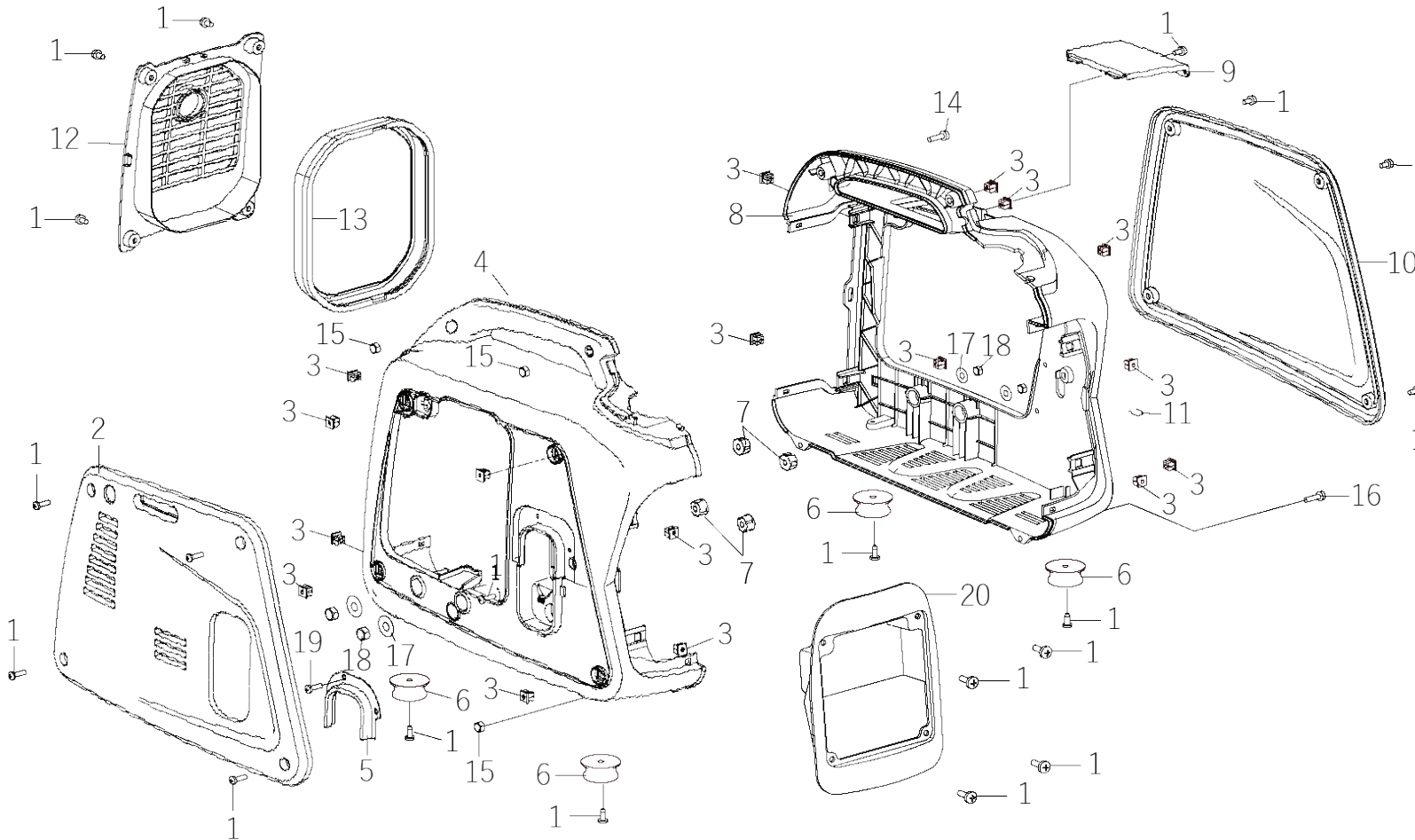


Number	Name
1	Stator 1.0KW 420V 580Hz
2	Washer 5
3	Hexagon Flange Bolts M5x30
4	Rotor
5	Hexagon Flange Nut M10x1.25
6	Hexagon Flange Bolts M5x10
7	Trigger
8	Ignition Coil
9	Tap Screw ST4.8x25-FH
10	Ignition Coil Cap With Shield
11	Spark Plug A5RTC

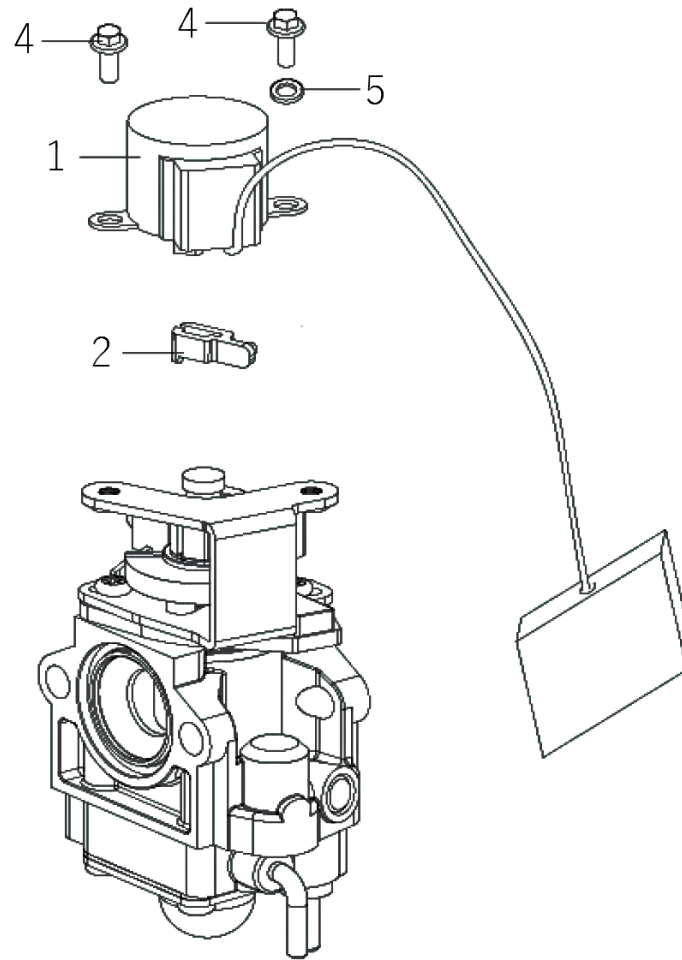
## POWER TOOLS



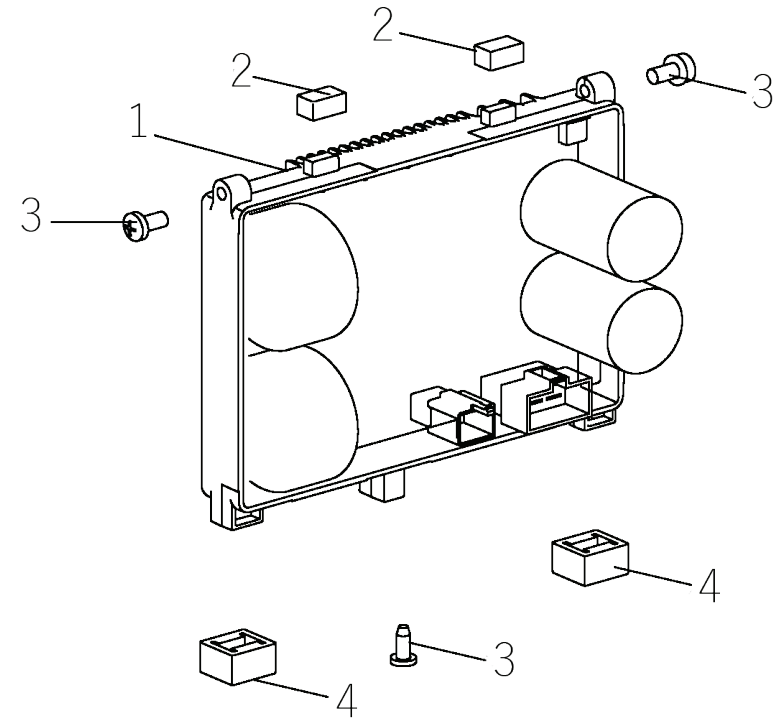
Number	Name	Number	Name
1	Fuel Tank Cap Assy.	10	Steel Wire Clamp Ø9
2	Fuel Tank Filter	11	Fuel Hose 4.5x7.5x200
3	Fuel Tank Port Rubber	12	Clamp Ø8
4	Fuel Tank	13	Tap Screw GB/T845 ST4.8x13-F
5	Fuel Outlet Filter	15	Fuel Hose 2.5x5x190
6	Steel Wire Clamp Ø11	16	Fuel Hose 2.5x5x80
7	Fuel Hose	17	Fuel Lubricator
8	Steel Wire Clamp Ø10	18	Fuel Cock Knob
9	Fuel Cock		



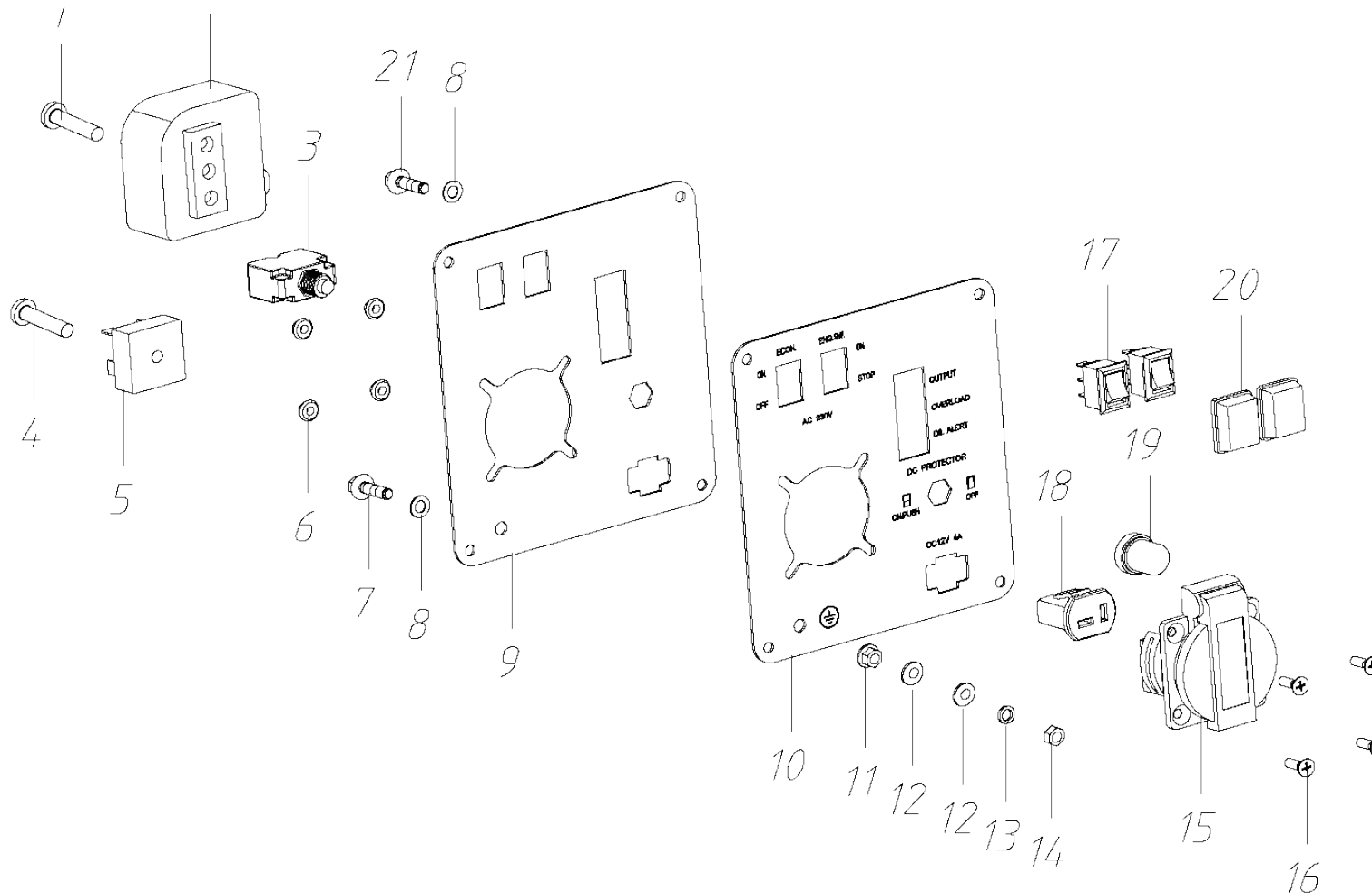
Number	Name
1	Screw ST4.8x13-F
2	Right Side Cover
3	Fastener
4	Right Cover of Shell
5	Edge Protection
6	Vibration Absorber
7	Rubber Pad $\Phi 6 \times \Phi 16 \times 10$
8	Left Cover of Shell
9	Upper Cover
10	Left Side Cover
11	Clamp
12	Muffler Cover
13	Muffler Cover Seal
14	Screw GB/T9074.4 M5x18
15	Hexagon Nut M5
16	Cross Pan Head Screw M5x16
17	Rubber Pad $\Phi 6.5 \times \Phi 16 \times 2$
18	Lock Nut GB/T6187 M6
19	Tap Screw GB/T845 ST4.8x9.5-F
20	Panel Box



Number	Name
1	Stepper Motor Assy.
2	Drive Arm
3	Drive Arm Spring
4	Screw M4x6
5	Spring Washer 4



Number	Name
1	Inverter 1.0kw 230V50HZ
2	Inverter Gasket
3	Screw GB/T9074.4 M5x12
4	Inverter Bottom Gasket



Number	Name
1	Cross Pan Head Screw M5x16
2	Ignition Controller
3	Overload Protector 4.5A
4	Screw M5x16
5	Rectifier KBPC3502
6	Hexagon Flange Nut M4
7	Flange Bolt GB/16674 M5x16
8	Lock Gasket GB862.2 φ5
9	Panel Components
10	Panel Sticker
11	Hexagon Flange Nut M5
12	Washer GB/T97 φ5
13	Spring Washer GB/T93 φ5
14	Hexagon Flange Nut M5
15	European Socket
16	Countersunk Head Screw M4x12
17	Boat Switch
18	DC Charging Socket
19	Overload Protector, Waterproof Cap
20	Boat Switch, Waterproof Cap
21	Screw M5x8