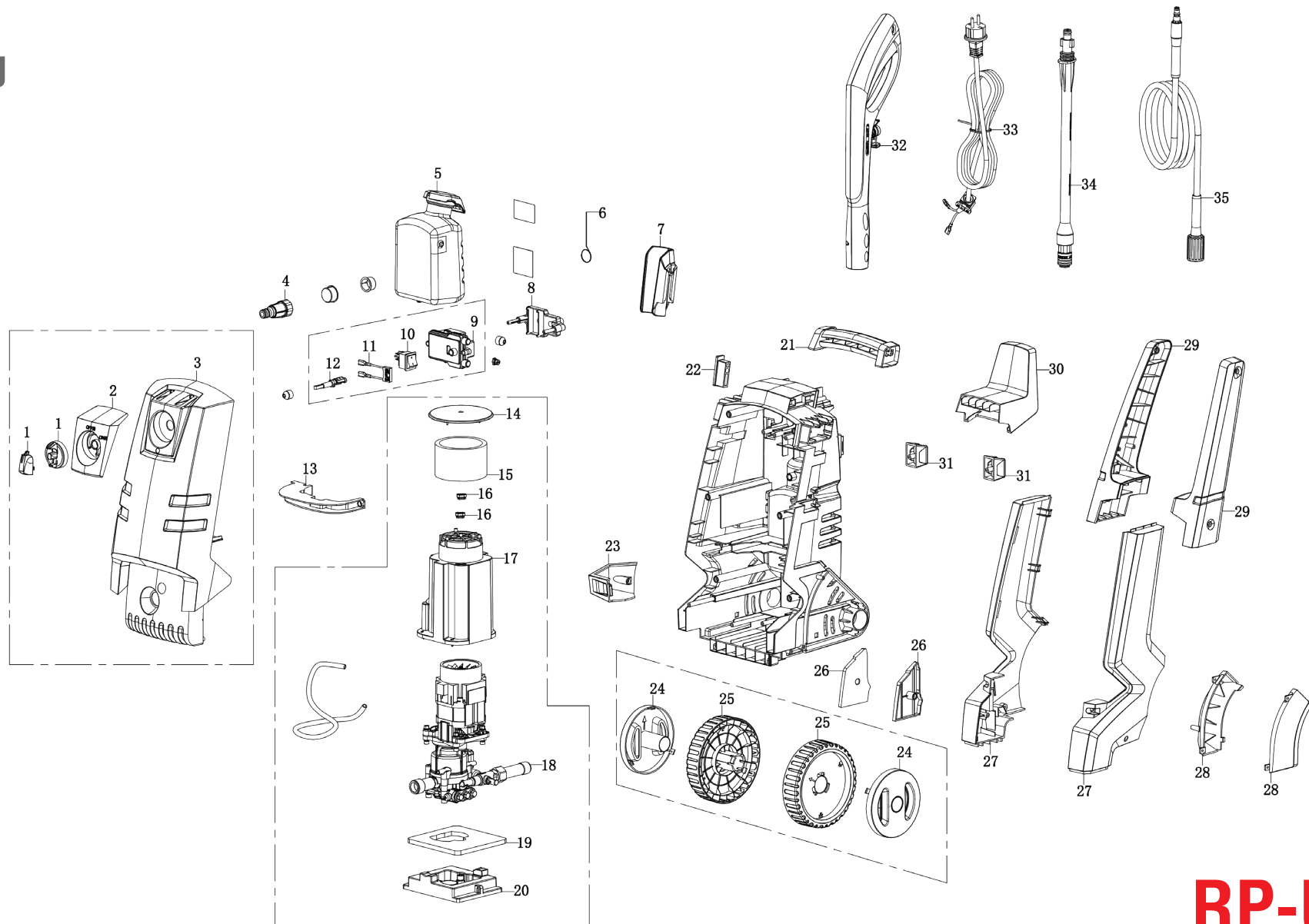


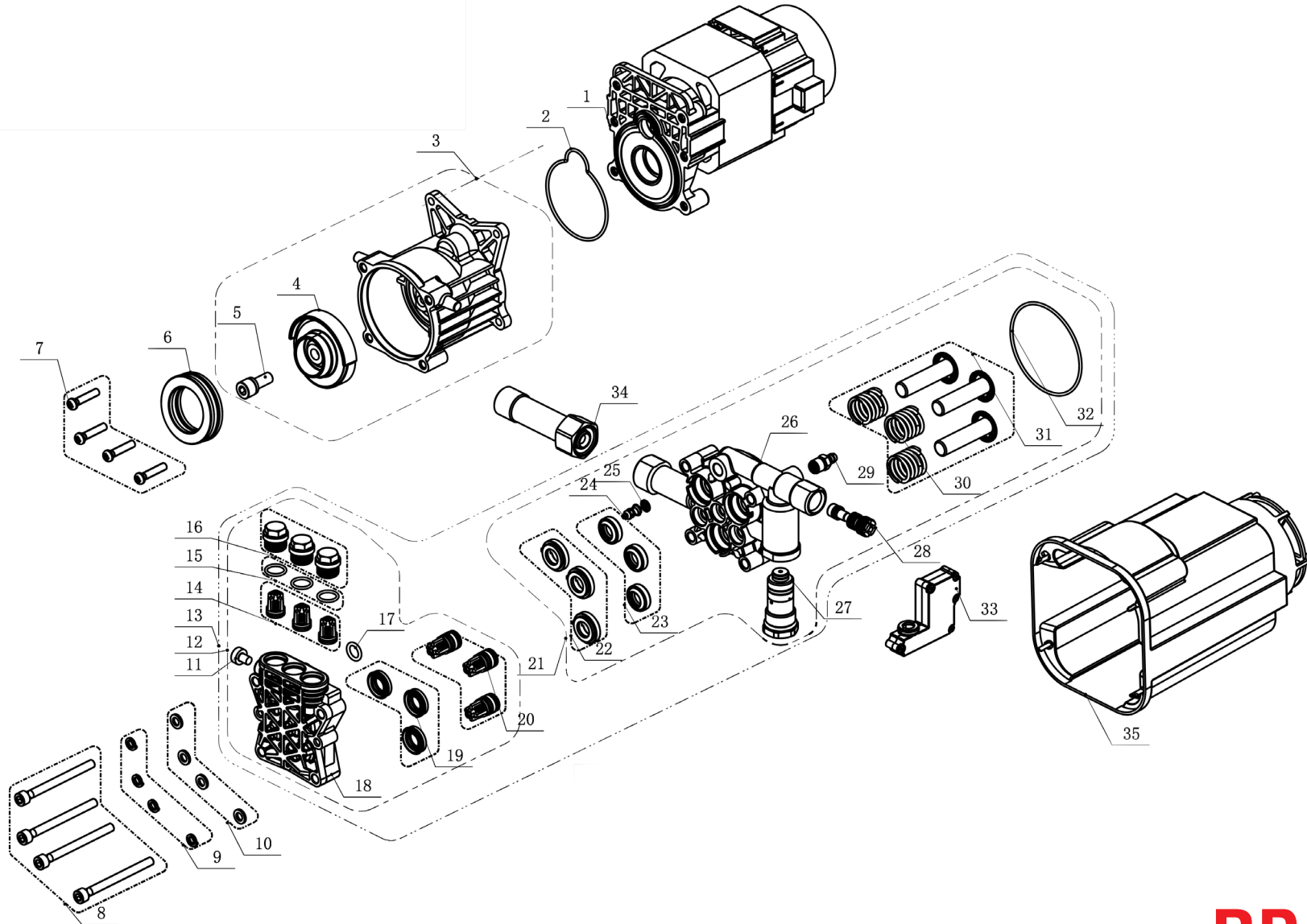
Housing



Number	Name
1	Knob and cover
2	Knob decorate board
3	Front Housing
4	Water inlet screw
5	Detergent tank kit
6	Pin
7	Gun holder
8	Switch box holder
9	Switch box and cover
10	Switch
11	Capacitor
12	Driving lever
13	Front motor base
14	Fan housing cap
15	Back strainer
16	Waterproof sheath
17	Fan cover
18	Motor pump
19	Front strainer
20	Pump base
21	Handle
22	Gun holder locking piece
23	Gun stock
24	Wheel cover
25	Wheels
26	Decorate board cover
27	Decorate board
28	Brim
29	Handle holder
30	Hose hook
31	Lance holder
32	YLG05 GUN
33	Power cord
34	YLG05 lance

Number	Name
35	High Pressure Hose
36-optional	1/2 Quick Connector
37-optional	YLG05 Turbo Lance

Motor



Number	Name
1	Motor
2	Peach-Shape Ring
3	Dear Box Assemble
4	Wobble Disc
5	ST Screw M8x20
6	Thrust Bearing
7	ST screw ST5_5x25
8	M6x70/ROHS
9	Spring Washer
10	Pain Washer
11	ST M6x8
12	Pump Head Assembly
13	Pump
14	Oulet Valve Assembly
15	O-RING 12.5x1.8
16	Check Valve Nut
17	O-ring9.8x2.4
18	Pump Head
19	Y-seal 20X12
20	Inlet valve kit
21	Cylinder Block Assemble
22	Seal Bracket
23	oil seal
24	Chief vave kit
25	Cone spring
26	Cylinder block
27	Bypassing valve kit
28	Venturi tube
29	Siphon nipple
30	Piston spring
31	Piston kit
32	O-ring 70x2
33	Micro switch kit
34	Water out Let Tube