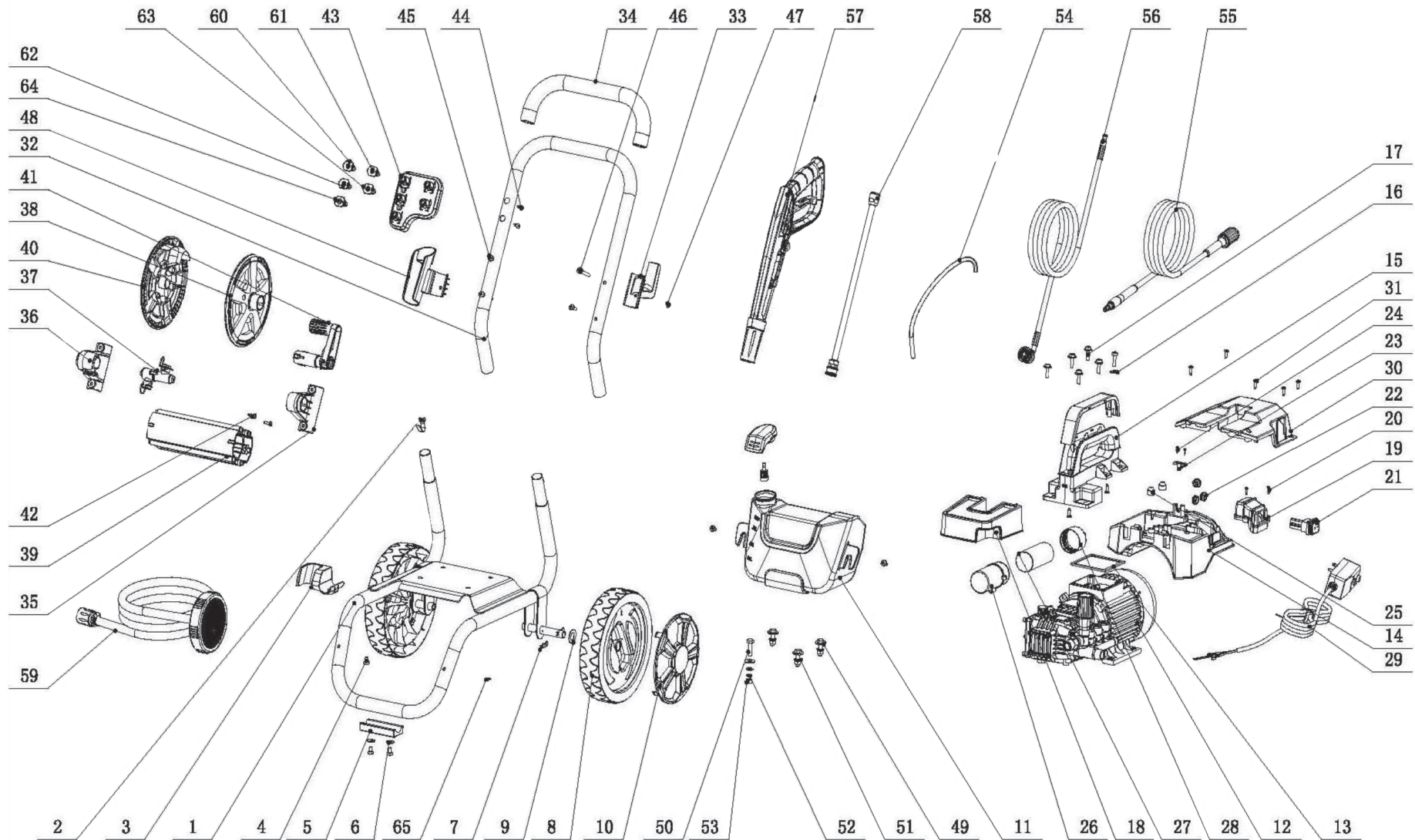


Number	Name
1	BOX
2	DEEP GROOVE BALL BEARING
3	DEEP GROOVE BALL BEARING
4	CIRCLIP FOR HOLE
5	OIL SEAL
6	RECIPROCATING OIL SEAL
7	BOX END COVER
8	BOX COVER
9	SCREW-IN ROUND OIL MARK
10	OIL DRAIN PLUG
11	DIPSTICK
12	WASHER
13	SPRING WASHER
14	SCREW-IN ROUND OIL MARK
15	ECCENTRIC SHAFT
16	LINK
17	PORCELAIN SPRAY PLUNGER
18	PLUNGER PIN
19	CIRCLIP FOR SHAFT
20	O-RING 95x2.65
21	O-RING 42.5x1.8
22	O-RING 13.2x1.8
23	PUMP COVER
24	INLET CONNECTOR
25	OUTLET CHECK VALVE ASSEMBLY

Number	Name
26	CHECK VALVE ASSEMBLY
27	
28	
29	
30	O-RING
31	PRESSURE REGULATING SEAT
32	PRESSURE REGULATING VALVE SLEEVE
33	STEM
34	SPOOL
35	VALVE SEAT
36	PRESSURE REGULATING SPRING SEAT
37	REGULATING SPRING
38	PRESSURE REGULATING STUD
39	TYPE 17 PRESSURE REGULATING LIMIT NUT
40	HEXAGON SOCKET SET SCREWS
41	PRESSURE REGULATING HANDLE
42	NUT INSERT
43	WASHER
44	O-RING 8.5x1.8
45	CLOSED RETAINING RING
46	O-RING 5.3x1.8
47	O-RING 11x1.8
48	O-RING 6x1.8

Number	Name
49	OPEN RETAINING RING
50	O-RING 14x1.8
51	JET FLUID
52	POSITIONING NUT
53	BACKSTOP SPRING
54	O-RING
55	CHECK SPOOL
56	O-RING 7.1x1.8
57	SUCTION CONNECTOR
58	O-RING 4x1.8
59	STEEL BALL
60	SUCTION SPRING
61	SEAL SEAT
62	AUXILIARY WATER SEAL
63	SEAL RING COVER
64	O-RING 26.5x1.8
65	WATER SEAL GASKET
66	MAIN WATER SEAL
67	HIGH PRESSURE BULKHEAD
68	PLUG
69	O-RING 16x1.8
70	O-RING 12x1.8
71	SLIADE VALVE PLUG
72	SLIADE STEM
73	CLOSED RETAINING RING
74	FIX WASHER

Number	Name
75	O-RING 14x1.8
76	SLIDE VALVE SPRING
77	INCISION RETAINING RING
78	O-RING 7.1x1.8
79	O-RING 2.8x1.8
80	WASHER ϕ 6
81	HEXAGON SOCKET HEAD SCREW



RP-0181

Industrial Induction High Pressure Washer 180bar

Number	Name
1	METAL BRACKET
2	SINGLE BULLET
3	BUTTSTOCK
4	CROSS RECESSED PAN HEAD SCREWS
5	FOOT PAD
6	LARGE WASHERS
7	R TYPE SPLIT PIN
8	SCROLL WHEEL
9	FLAT WASHERS
10	ROLLER COVER-N
11	CLEAN POT COMPONENTS
12	MOTOR PUMP
13	WATERPROOF GASKET
14	BASE
15	HANDLE ASSEMBLY
16	LARGE WASHERS
17	CROSS RECESSED PAN HEAD SCREWS
18	FLIP CAP
19	SWITCH BOX
20	CROSS RECESSED PAN HEAD TAPPING SCREWS
21	BOAT TYPE ILLUMINATED SWITCH
22	POWER CORD SEALING WATER JACKET
23	POWER CORD CLAMP

Number	Name
24	CROSS RECESSED PAN HEAD TAPPING SCREWS
25	WATERPROOF CAP
26	GENERAL CAPACITOR BOX
27	CAPACITANCE
28	GENERAL CAPACITOR SHEATH
29	POWER CABLE
30	UPPER COVER
31	CROSS RECESSED PAN HEAD TAPPING SCREWS
32	METAL HANDLE
33	HOOK
34	HANDLE COVER
35	TUBE REEL RIGHT BRACKET
36	TUBE REEL LEFT BRACKET-G
37	TWO-WAY CONNECTOR ASSEMBLY
38	TUBE RIM
39	TUBE HUB
40	RIGHT REEL FLANGE
41	CRANK ASSEMBLY
42	CROSS RECESSED PAN HEAD TAPPING SCREWS
43	NOZZLE HOLDER
44	CROSS RECESSED PAN HEAD TAPPING SCREWS

Number	Name
45	CROSS RECESSED PAN HEAD SCREWS
46	CROSS RECESSED PAN HEAD SCREWS
47	HEX NUTS
48	GUN RACK
49	LARGE WASHERS
50	HEXAGON HEAD BOLT
51	FLAT WASHERS
52	SPRING WASHER
53	HEX NUTS
54	SUCTION HOSE
55	HIGH PRESSURE PIPE
56	HIGH PRESSURE PIPE
57	GUN HANDLE ASSEMBLY
58	QUICK GUN BARREL ASSEMBLY
59	INLET PIPE ASSEMBLY
60	NOZZLE
61	NOZZLE
62	NOZZLE
63	NOZZLE
64	NOZZLE
65	EXTERNAL SERRATED LOCK WASHER