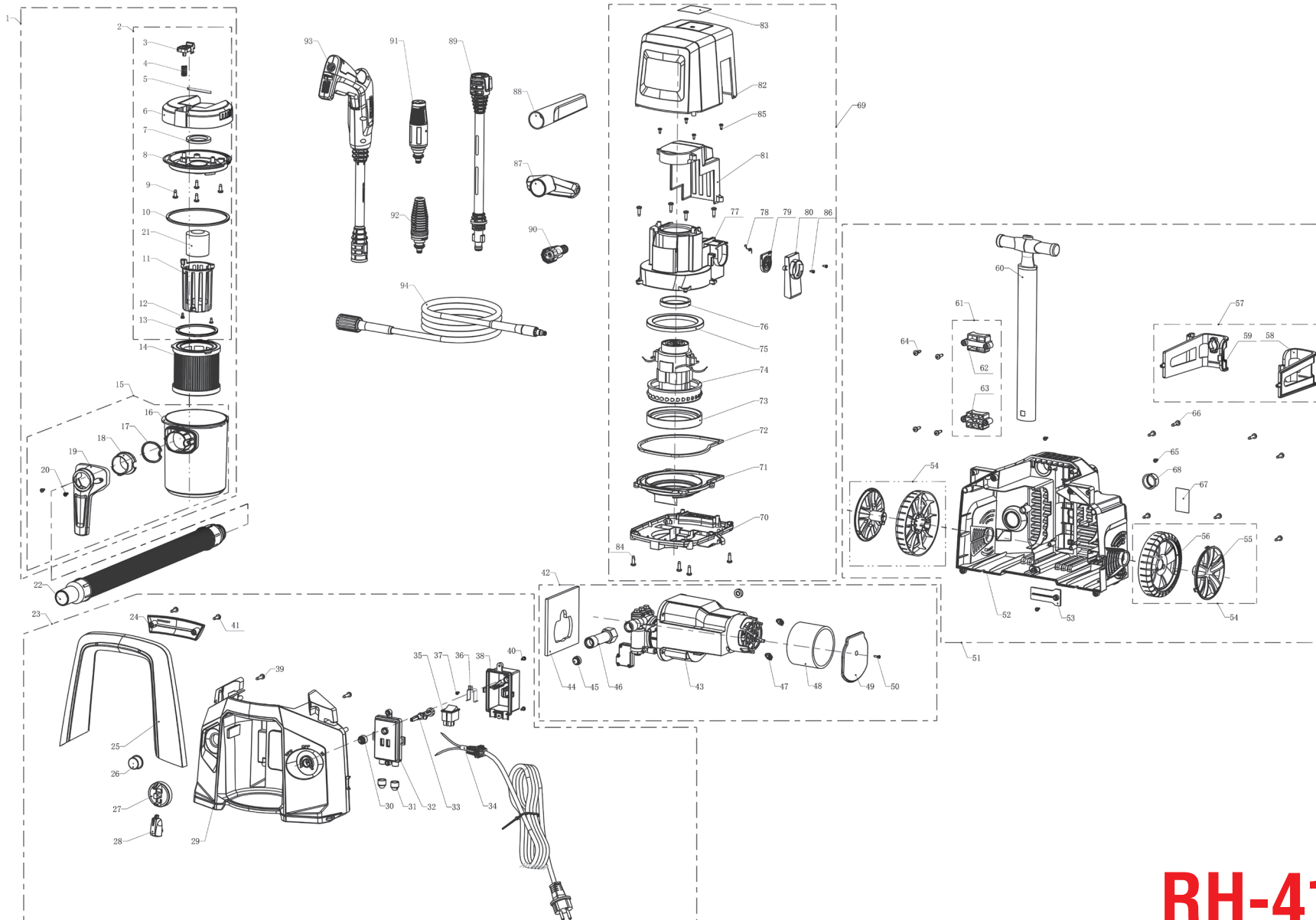


Number	Name
1	8040H Motor
2	Peach-shape ring
3	Gear box assemble
4	Gear-box
5	Wobble disc
6&7	Spring washer ϕ 8 & M8x20/ROHS
8	Thrust bearing
9	Pump kit YLP11
10	Pump head kit
11	Pump head
12	Check valve kit
13	O-ring 9.8x1.9
14	Valve plug
15	Inlet valve kit
16	Y-SEAL-10x16x4
17	O-ring 6x2
18	St screw M6x8
19	Pump body assemble
20	Piston guider
21	Total valve kit
22	Bypass-kit
23	Inlet pipe
24	U-pin
25	Piston oil seal
26	Sealing base
27	Piston KIT
28	O-ring 60x2.1

Number	Name
29	O-ring 9x.2.65
30	Washer ϕ 6
31	Spring washer ϕ 6-ROHS
32	ST M6x55
33	Micro-switch kit
34	Fan cover cap
35	ST ST5.5x20
36	Extension connector



Number	Name
1	Dust cup kit
2	Top cover kit of dust cup
3	Button of dust cup
4	Spring of button
5	Seal ring of top cover
6	Top cover
7	Seal ring of top cover plate
8	Top cover plate
9	ST screw ST4.8x13
10	Seal ring of dust cup
11	Buoy frame
12	ST screw ST3.5x8
13	Seal ring of HEPA
14	Filter assembly
15	Cup body kit
16	Cup body
17	Seal ring of suction port
18	Suction port
19	Handle of dust cup
20	St screw ST3.5x16
21	Floating column 15L
22	Soft hose assemble
23	Front cover kit
24	Cover plate of handle
25	Handle
26	Screw thread
27	Nob
28	Nob cpver
29	Front cover
30	Seal ring of power plug
31	Tarpaulin

Number	Name
32	Cover of switch
33	Pole of switch
34	Power plug
35	Switch
36	Switch shrapnel
37	ST screw ST3x8-C
38	Switch box
39	ST screw ST4.8x16
40	ST screw ST3.5x13F
41	ST screw ST4.8x16
42	Motor pump kit
43	8040H+P11
44	Front filter of fan cover
45	Shock pad
46	Extension connector
47	Waterproof sheath
48	Back filter of fan cover
49	Fan cover
50	ST screw ST3x12
51	Back cover kit
52	Back cover
53	Water fender
54	Wheels kit
55	Cover
56	Wheels
57	Accessories holder
58	Left holder
59	Right holder
60	Telescopic handle assembly
61	Top&lower board of handle

Number	Name
62	Top board
63	Lower board
64	St screw ST4.8x16
65	St screw ST3x12(2pcs) & ST3.5x8(1pc)
66	St screw ST4.8x16
67	Warning label
68	Waterproof sheath
69	Motor kit
70	Motor base
71	Lower cover of motor cover
72	Seal ring for lower cover
73	Seal ring beneath of motor
74	Vacuum cleaner motor kit
75	Seal ring of motor
76	Seal ring
77	Top cover
78	Torsional spring
79	Air vent cover plate
80	Air vent press plate
81	Motor inlet cover plate
82	Motor outlet cover plate
83	Rating label
84	St screw ST4.8x16
85	ST screw ST3.5x13F
86	ST screw ST3x12
87	Sofa suction unit
88	Flat suction nozzle

Number	Name
89	YLG021 lance
90	Water inlet screw
91	Fan sharp nozzle
92	Turbo nozzle
93	YLG021 gun
94	Pressure hose