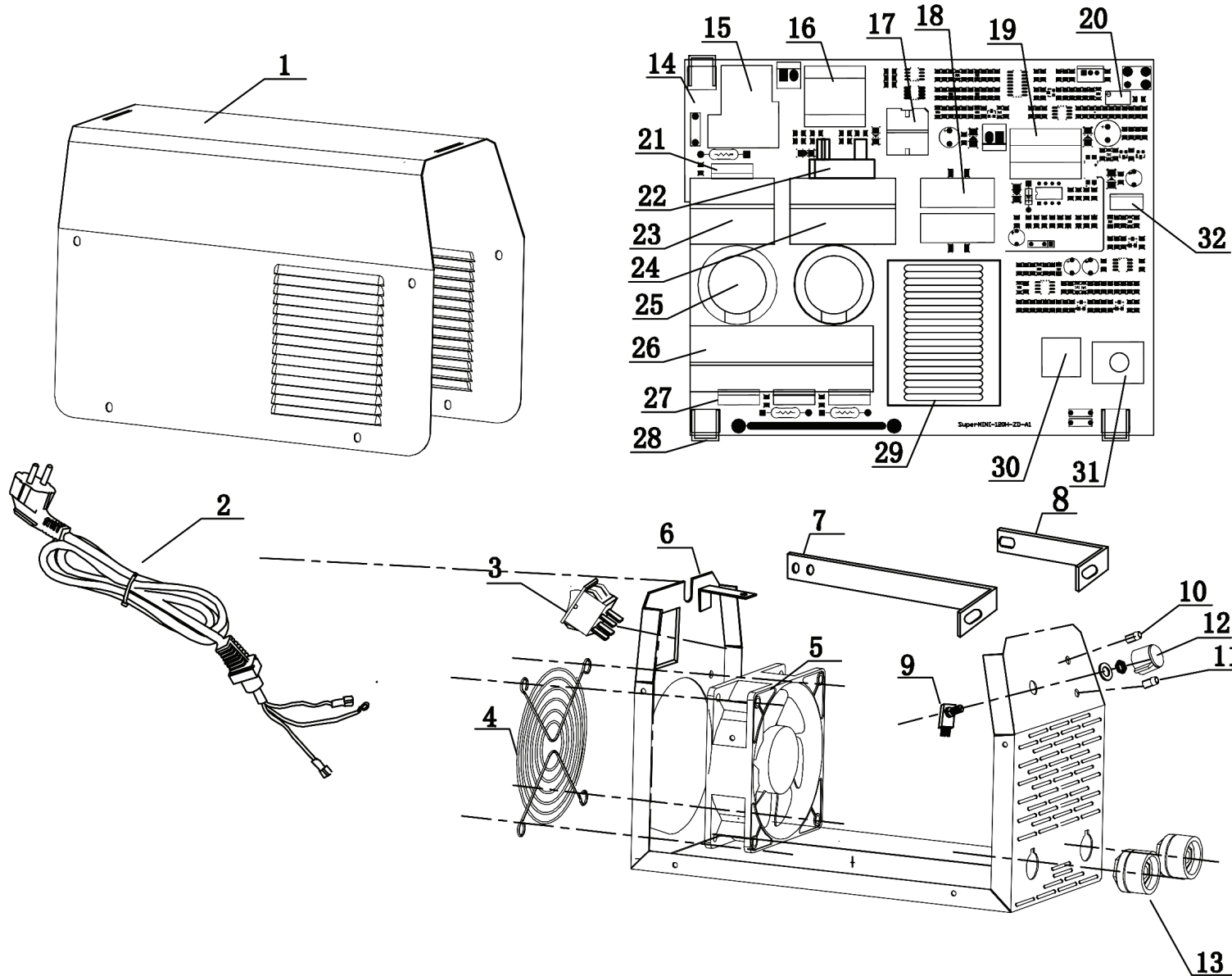


POWER TOOLS



Number	Name
1	Top panel
2	Power wire
3	Power switch
4	Fan guard
5	Fan
6	Bottom Panel
7	Long output strips
8	Short output strips
9	Potentiometer
10	Green light
11	Yellow light
12	Knob
13	European plug socket
14	Main PCB
15	Repy
16	Drive transformer
17	Mutual inductor
18	CBB Capacitor
19	Power transformer register
20	Adjustable register
21	IGBT
22	Rectifier bridge
23	Inverter radiator-1
24	Inverter radiator-2
25	Capacitor
26	Fast recovery radiator
27	Diode
28	PCB fixed terminal
29	Main transformer
30	Shunt
31	Small copper sheet
32	Mosfet