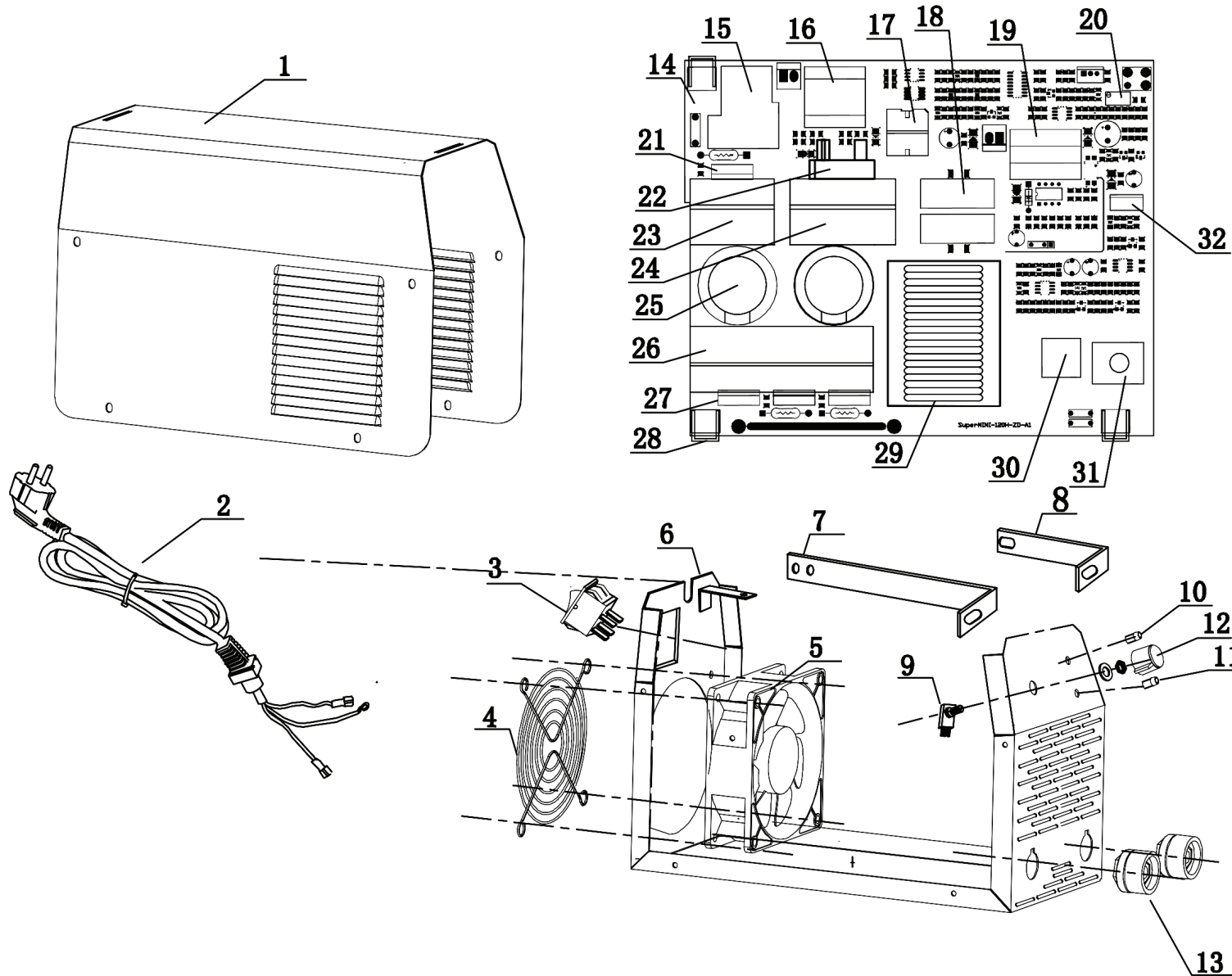


POWER TOOLS



| Number | Name |
|--------|------------------------|
| 1 | Top panel |
| 2 | Power wire |
| 3 | Power switch |
| 4 | Fan guard |
| 5 | Fan |
| 6 | Bottom Panel |
| 7 | Long output strips |
| 8 | Short output strips |
| 9 | Potentiometer |
| 10 | Green light |
| 11 | Yellow light |
| 12 | Knob |
| 13 | European plug socket |
| 14 | Main PCB |
| 15 | Repay |
| 16 | Drive transformer |
| 17 | Mutual inductor |
| 18 | CBB Capacitor |
| 19 | Power transformer |
| 20 | Adjustable register |
| 21 | IGBT |
| 22 | Rectifier bridge |
| 23 | Inverter radiator-1 |
| 24 | Inverter radiator-2 |
| 25 | Capacitor |
| 26 | Fast recovery radiator |
| 27 | Diode |
| 28 | PCB fixed terminal |
| 29 | Main transformer |
| 30 | Shunt |
| 31 | Small copper sheet |
| 32 | Mosfet |