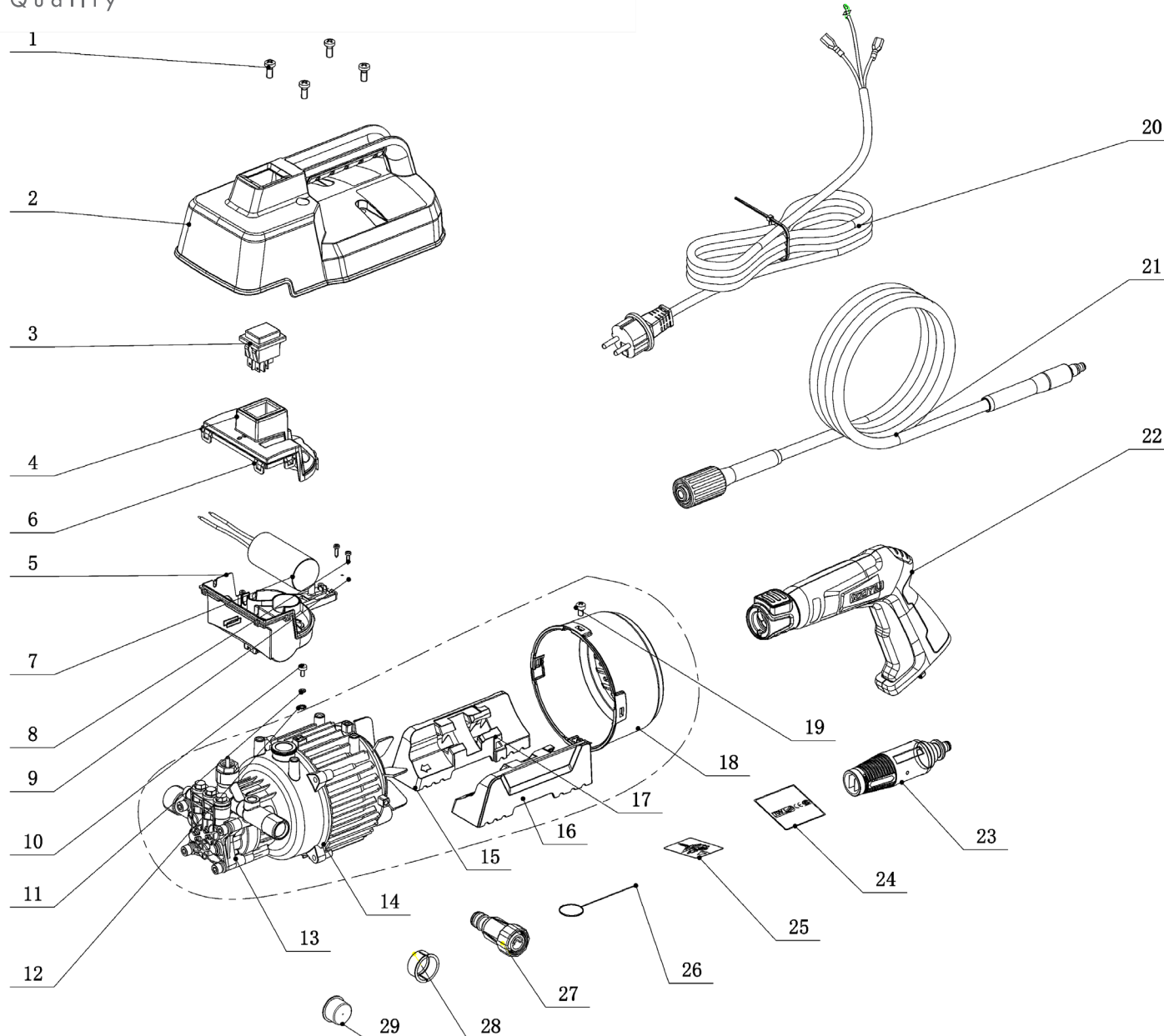


Number	Name
1	External Circlip
2	Fan
3	1140 Motor - LV
4	DEGREEM08, WOBBLE, DISC
5	THRUST-BALL-BEARING
6 & 7	SPRING-WASHER ϕ 8-ROHS & St Screw M8x20/ROHS
8	St screw M6x55/ROHS
9	SPRING-WASHER ϕ 6-ROHS
10	Plain washer
11	Pump kit
12	Pump head kit
13	Pump head
14	ST screwM6x8
15	Inlet check valve
16	O-ring 9.8x1.9
17	CHECK-VALVE Nut
18	O-ring6x2
19	Inlet check valve
20	Y-SEAL-10x16x4
21	PISTON-GUIDER ASSY
22	Sealing holder
23	Piston sealing
24	PISTON-GUIDER
25	CHIEF - VALVE-ASSY
26	PISTON-ASSY
27	O-ring 60x2.1
28	O-ring9.5x2.5
29	U-pin
30	Water inlet hose
31	BYPASS-VALVE
32	Mirco swith

POWER TOOLS



Number	Name
1	ST screw M6x12
2	Top cover
3	Swiath
4	Switch box kit
5	Switch box
6	Switch cover
7	Capacitance
8	ST screw 3x12
9	Tension disc
10 & 11	ST screw M4x8 & spring washer ϕ 4
12	Serrated lock washers
13	Motor pump kit
14	Motor pump
15	Base kit
16	Right base
17	Left base
18	Fan cover
19	ST screw M5x8
20	Power cord ass'y
21	Pressure hose
22	YLG021 gun
23	YLG021 nozzle
24	Rating label
25	Warning label
26	Pin
27	Water inlet screw
28	Water outlet tube sheath
29	Water outlet tube sheath(new)