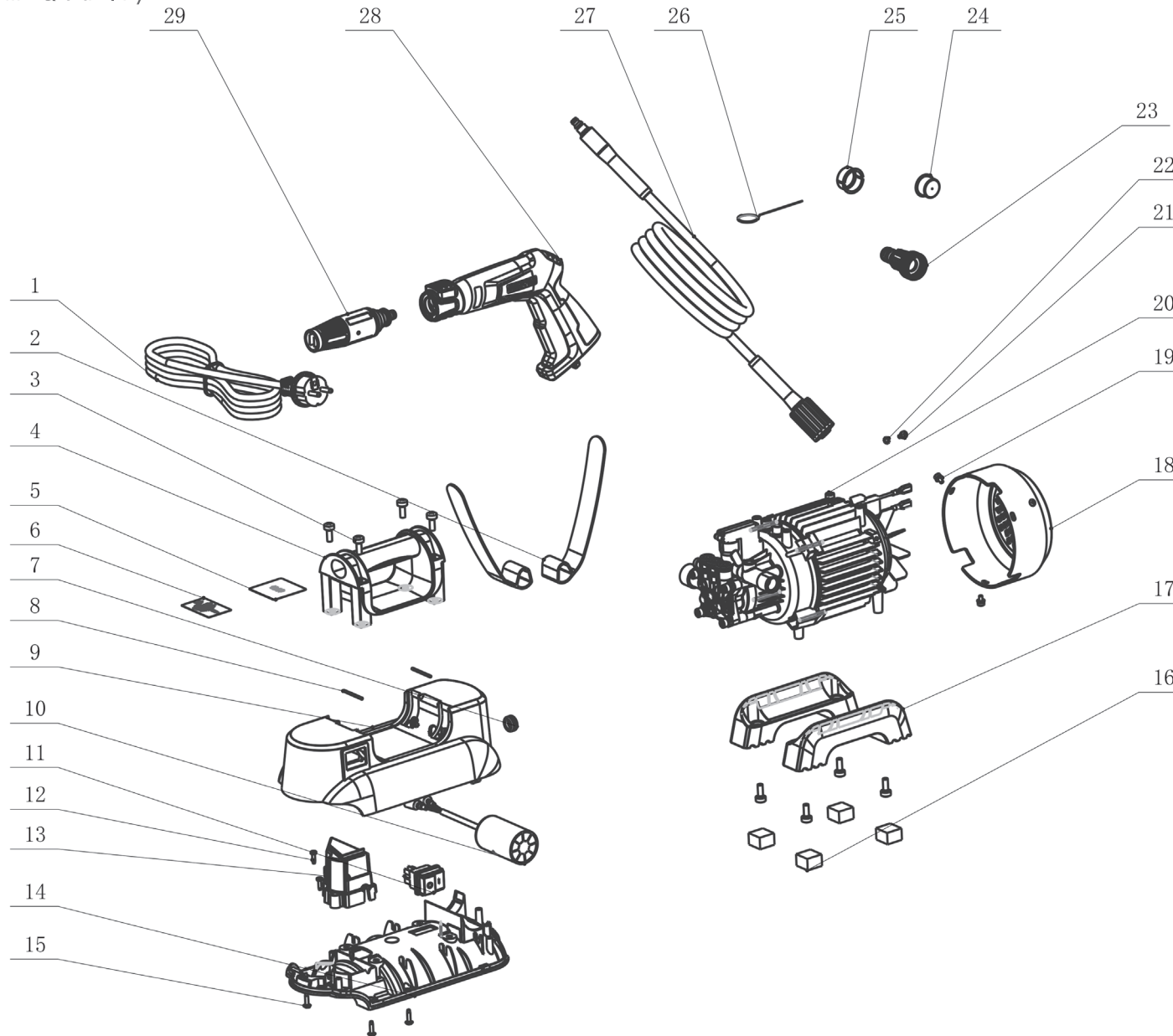


Number	Name
1	External circlip
2	Fan
3	1150 motor LV
4	DEGREEM08 WOBBLE-DISC
5	THRUST-BALL-BEARING
6&7	SPRING-WASHER ϕ 8-ROHS & St screw M8x20/ROHS
8	St screw M6x55/ROHS
9	SPRING-WASHER ϕ 6-ROHS
10	Plain washer
11	CHECK-VALVE Nut
12	O-ring 9.8x1.9
13	Outlet check valve
14	Pump head kit
15	YLP1110 pump kit
16	ST screw M6x8
17	Pump head
18	O-ring 6x2
19	Inlet check valve
20	Y-SEAL-10x16x4
21	Sealing holder
22	Piston sealing
23	CHIEF-VALVE-ASSY
24	O-ring 60x2.1
25	PISTON-ASSY
26	PISTON-GUIDER
27	O-ring 9.5X2.5
28	U-pin

Number	Name
29	Water inlet hose
30	BYPASS-VALVE
31	PISTON-GUIDER ASSY
32	Micro switch
33	Water outlet hose

POWER TOOLS



Number	Name
1	Power cord
2	Hook-loop
3	ST screw
4	Handle
5	Rating label
6	Warning label
7	Power line jacket
8	Lance pin
9	Top cover
10	Capacitance
11	Piano-key switch
12	ST screw 3.5x13F
13	Switch box
14	Bottom cover
15	ST screw 3.5x13F
16	Damping pad
17	Bottom leg
18	Motor cover
19	ST screw M4*8
20	Motor pump
21	ST screw M4*8
22	Serrated lock washers
23	water inlet screw
24	Water outlet sheath
25	Water outlet sheath (new)
26	Pin
27	Pressure hose