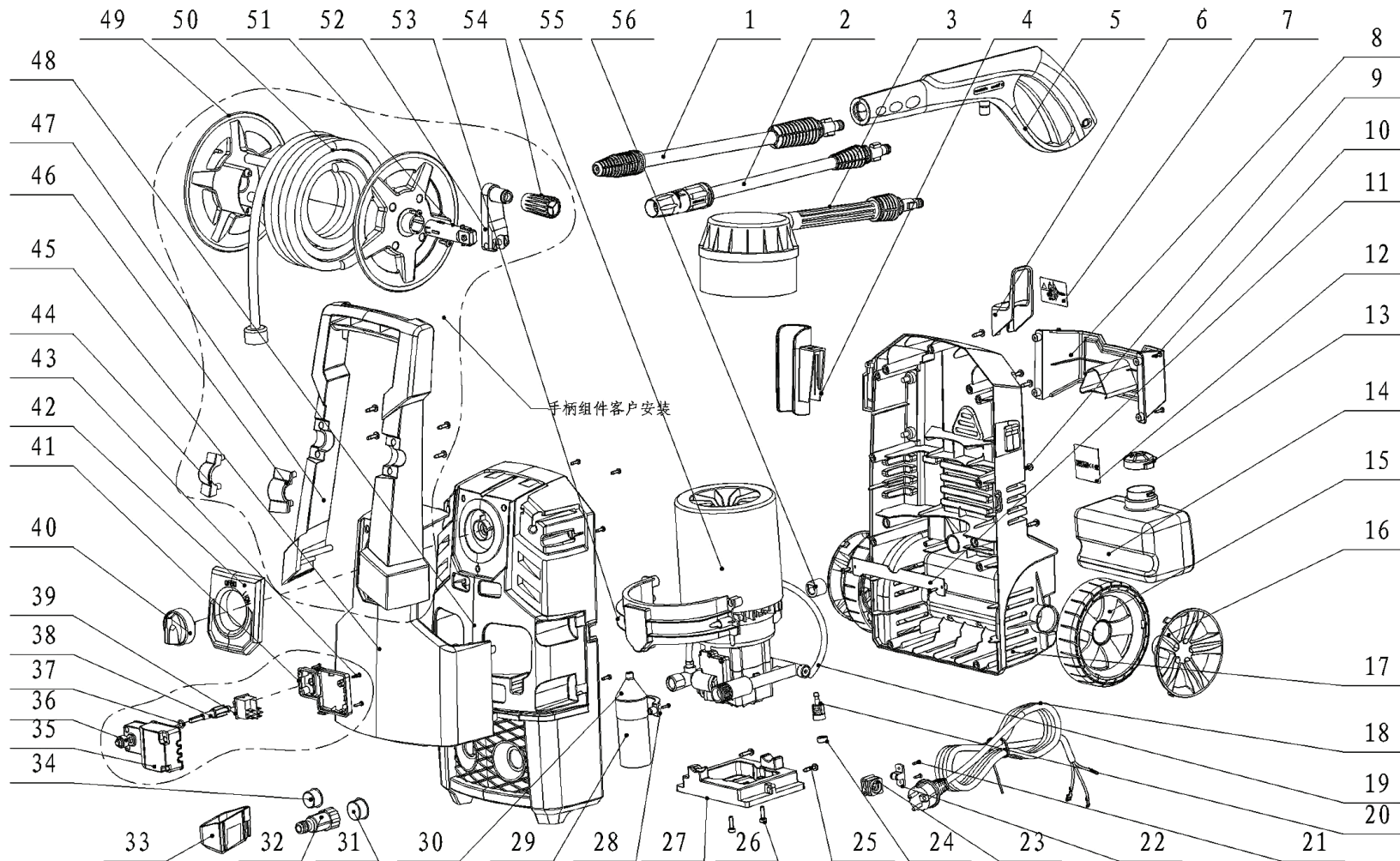


Housing



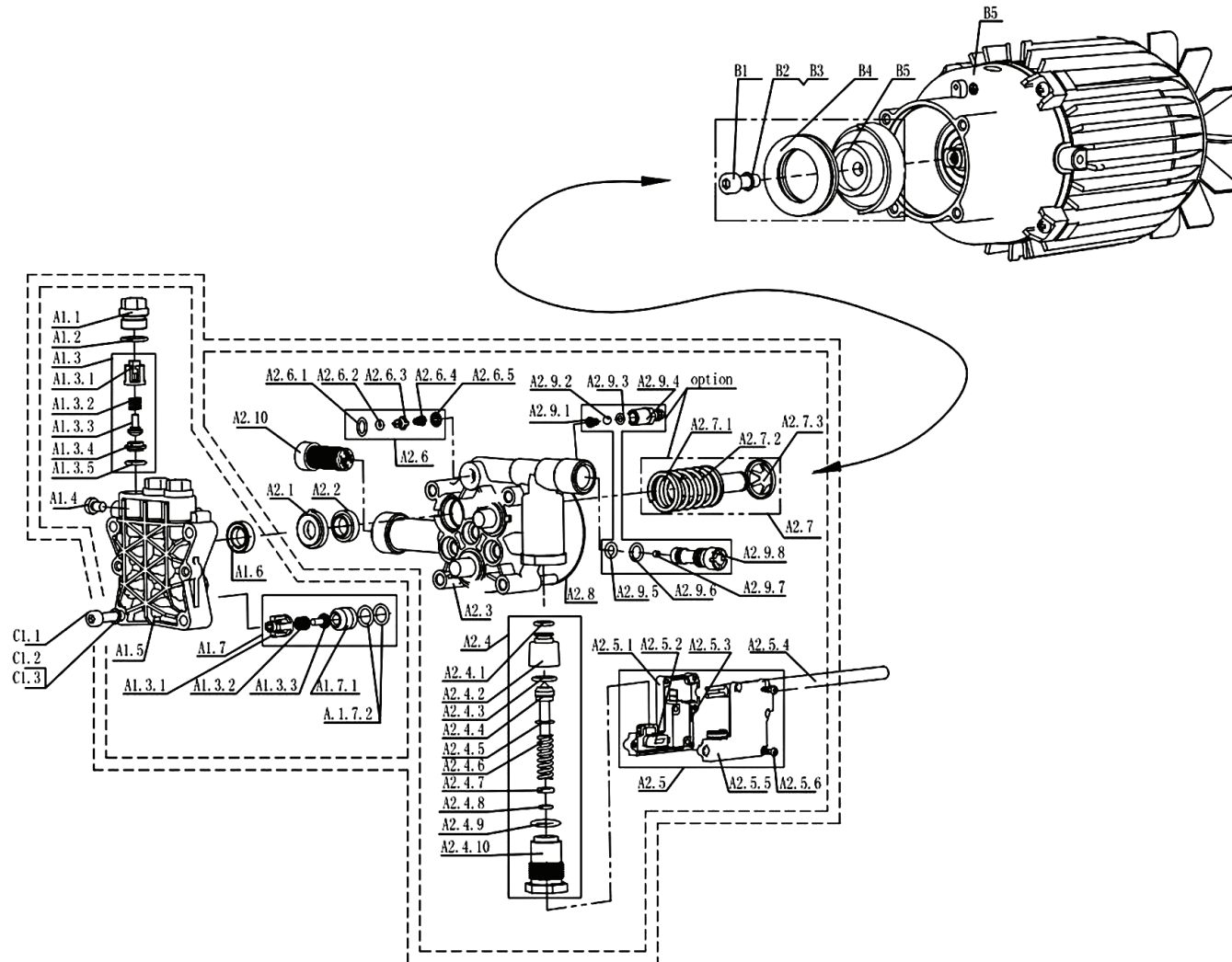
RP-0140

High Pressure Washer 1800W

Number	Name
1	TURBO LANCE
2	ADJUSTABLE LANCE YLG05A
3	ROTARY BRUSH
4	GUN HOLDER
5	SPARY GUN YLG05
6	CABLE HOOK
7	WARNING LABEL
8	ACCE. HOLDER
9	SCREW
10	SCREW
11	WATER PROOF BOARD
12	RATING LABEL
13	BOTTLE CAP
14	SOAP BOTTLE
15	WHEELS
16	WHEEL COVER
17	BACK HOUSING
18	CABLE
19	DETERGENT TUBE
20	SPRAY SPIGOT
21	SCREW
22	POWER CORD CLIP
23	POWER CORD SHEATH
24	SPARY PLUG
25	SCREW
26	SCREW
27	PUMP BASE
28	CAPACITOR BOARD
29	CAPACITOR
30	CAPACITOR COVER
31	INLET TUBE COVER
32	INLET TUBE ASSEMBLY

Number	Name
33	GUNSTOCK
34	OUTLET TUBE COVER
35	SWITCH BOX
36	WIRE SEALING RING
37	O-RING
38	GUN LEVER
39	SWITCH
40	SWITCH BUTTON
41	SWITCH COVER
42	SWITCH DECORATE PLATE
43	SCREW
44	LEFT SIDE COVER
45	FRONT DECORATE COVER
46	RIGHT SIDE COVER
47	HANDLE
48	FRONT HOUSING
49	HOSE REEL
50	HIGH PRESSURE HOSE
51	ROLLING STICK
52	ROLLING HANDLE
53	INDUCTION MOTOR BOARD
54	ROLLING HANDLE COVER
55	INDUCTION MOTOR PUMP
56	DAMPING RING

Motor



Number	Name
A	pump assembly
A1	pump head assembly
A1.1	valve block
A1.2	O-ring
A1.3	oulet valve assembly
A1.3.1	valve bracket
A1.3.2	valve spring
A1.3.3	valve core
A1.3.4	Inlet base
A1.3.5	O-ring
A1.4	x-screw
A1.5	pump head
A1.6	Y-seal
A1.7	Inlet valve kit
A1.7.1	Inlet valve base
A1.7.2	O-ring
A1.3.1	valve bracket
A1.3.2	valve spring
A1.3.3	valve core
A2	Cylinder block assemble
A2.1	seal bracket
A2.2	piston oil seal
A2.3	Cylinder block
A2.4	bypassing valve kit
A2.4.1	O-ring
A2.4.2	Bypass cylinder
A2.4.3	O-ring
A2.4.4	Bypass core
A2.4.5	stop ring
A2.4.6	Bypass spring
A2.4.7	washer
A2.4.8	O-ring

Number	Name
A2.4.9	O-ring
A2.4.10	bypass screw
A2.5	micro-sw-KIT
A2.5.1	lower box cover
A2.5.2	pole
A2.5.3	micro-switch
A2.5.4	micro-switch cabbie
A2.5.5	upper box cover
A2.5.6	ST-screw
A2.6	chief vave kit
A2.6.1	O-ring
A2.6.2	O-ring
A2.6.3	Chief valve core
A2.6.4	Cone spring
A2.6.5	Cone spring base
A2.7	piston kit
A2.7.1	piston spring
A2.7.2	piston
A2.7.3	Spring chuck
A2.8	O-ring
A2.9	siphon kit
A2.9.1	taper spring
A2.9.2	steel ball Sc5
A2.9.3	O-ring
A2.9.4	siphon nipple
A2.9.5	O-ring
A2.9.6	O-ring
A2.9.7	Venturi nozzle
A2.9.8	Venturi tube
A2.10	water filter
B1	inner hexagon screw M8*16
B2	elastic washer

Number	Name
B3	plain washer
B4	bearing
B5	wobble disc
B6	induction motor
C1.1	inner hexagon screw
C1.2	elastic washer
C1.3	plain washer