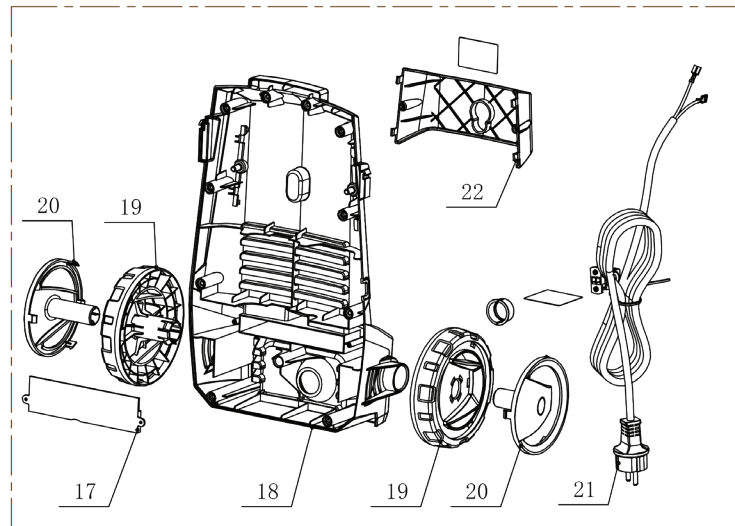
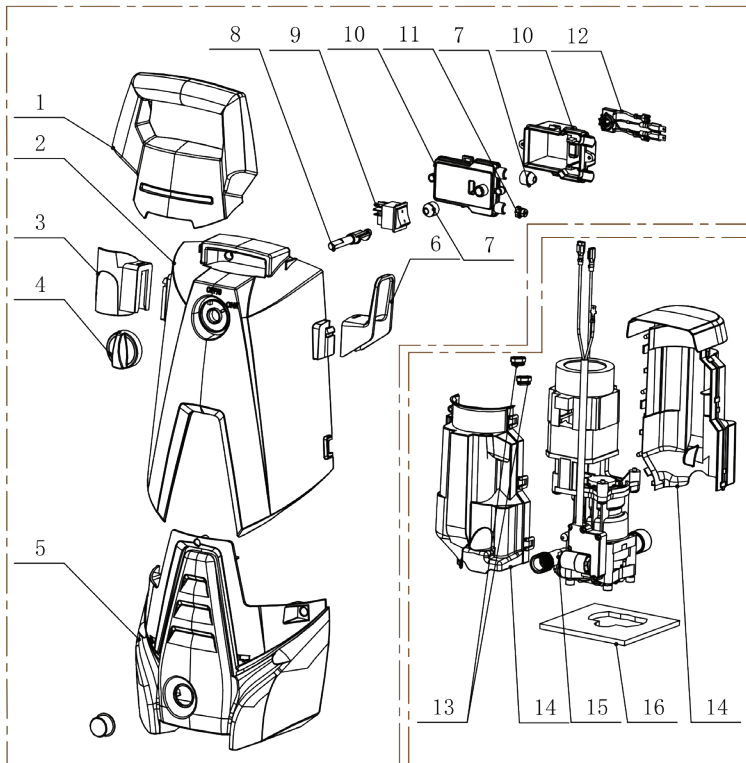
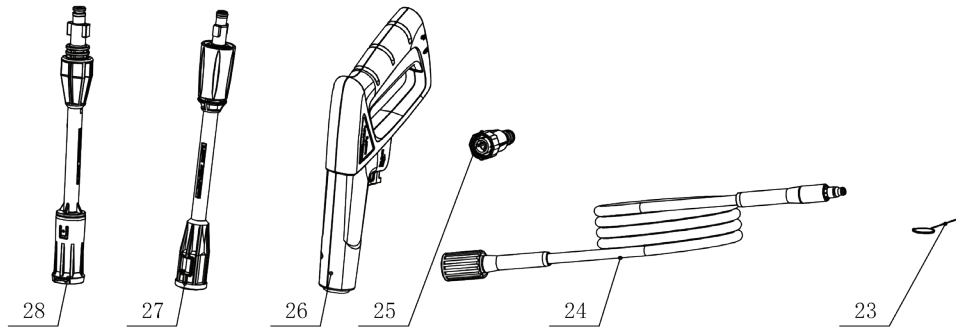


Housing



Number	Name
1	handle
2	front housing
3	gun holder
4	switch knob
5	front housing base
6	cable holder
7	tarpaulin
8	Driving lever
9	switch
10	witch box & cover
11	water proof stopper
12	capacitor
13	waterproof sheath
14	fan cover
15	motor and pump
16	strainer
17	baffle board
18	rear housing
19	wheels
20	wheel cover
21	power cord
22	accessories holder
23	pin
24	5M PVC hose
25	water inlet nut
26	YLG05 gun
28	YLG05A lance
29-optional	YLG05 foam bottle
30-optional	1/2 quick connector
31-optional	YLG05 turbo lance

Number	Name
1	Motor
2	peach-shape ring
3	gear box assy
4	wobble disc
5	ST screw M8*20
6	thrust bearing
7	ST5.5*20
8	M6*55/ROHS
9	spring washer \varnothing 6-ROHS
10	washer \varnothing 6
11	pump kit
12	Pump head kit
13	ST screw M6*8
14	check valve kit
15	O-ring 9.8X1.9
16	valve plug
17	O-ring 6X2
18	pump head
19	Y-SEAL-10X16X4
20	inlet valve kit
21	pump body assemble
22	sealing base
23	piston oil seal
24	U-pin
25	bypass-kit
26	chief valve kit
27	piston guider
28	O-ring 9.5X2.5
29	inlet pipe
30	piston KIT
31	piston spring
32	O-ring 60*2.1
33	micro-switch kit

