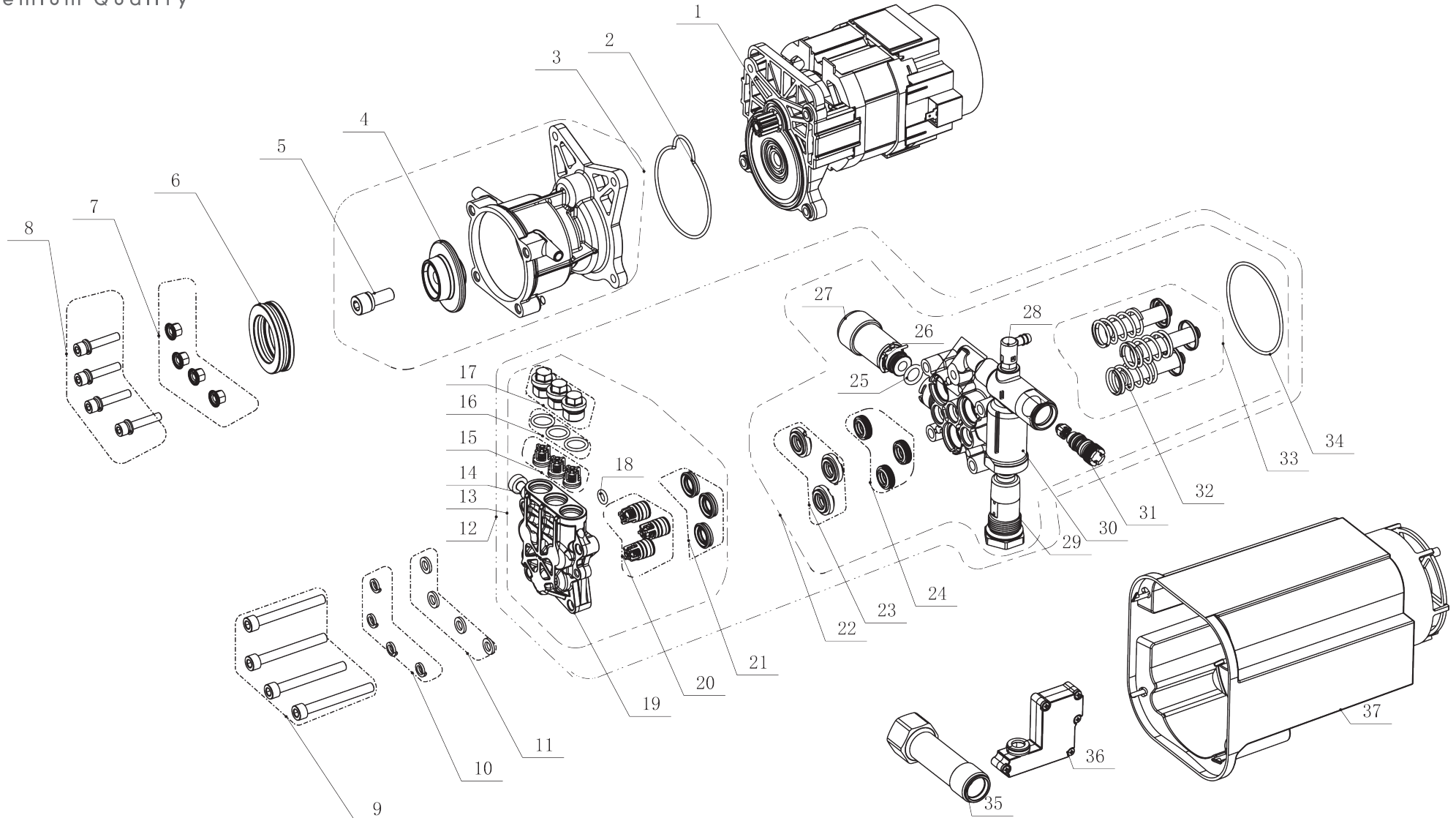


| Number | Name                          |
|--------|-------------------------------|
| 1      | switch-knob base & ornament   |
| 2      | switch ornament               |
| 3      | front housing                 |
| 4      | water inlet screw             |
| 5      | Detergent tank assy           |
| 6      | cleaner pin                   |
| 7      | gun holder                    |
| 8      | switch box base               |
| 9      | switch cover & box            |
| 10     | switch                        |
| 11     | capacitor                     |
| 12     | switch lever                  |
| 13     | front motor clamp             |
| 14     | motor cap                     |
| 15     | rear motor filter             |
| 16     | Waterproof sleeve             |
| 17     | fan cover                     |
| 18     | YLP118-8840HB-motor-4814-assy |
| 19     | front motor filter            |
| 20     | pump base                     |
| 21     | handle                        |
| 22     | gun holder base               |
| 23     | gun stock                     |
| 24     | Wheels cover                  |
| 25     | wheels                        |
| 26     | L/R-ornament cover plate      |
| 27     | L/R-ornament plate            |
| 28     | L/R-wheel cap                 |
| 29     | L/R-handle bracket            |
| 30     | hose hook                     |

| Number | Name                      |
|--------|---------------------------|
| 31     | lance pole holder         |
| 32     | YLG22 spray gun assy      |
| 33     | two cord power components |
| 34     | YLG22 Spray lance         |
| 35     | 5M High pressure hose     |
| 36     | YLG21 fan nozzle          |
|        | YLG21 turbo nozzle        |



| Number | Name                    |
|--------|-------------------------|
| 1      | 8840H motor             |
| 2      | peach shape ring        |
| 3      | gear box assy           |
| 4      | wobble disc             |
| 5      | M8x20 screw             |
| 6      | thrust ball bearing     |
| 7      | hexagon nut with flange |
| 8      | M5 bolt                 |
| 9      | M6x55/ROHS screw        |
| 10     | spring washer           |
| 11     | small plain washer      |
| 12     | YLP118 pump             |
| 13     | pump head assembly      |
| 14     | M6x8 ST screw           |
| 15     | check valve kit         |
| 16     | O-ring 9.8x1.9          |
| 17     | check valve nut -LV     |
| 18     | O-ring 6x2              |
| 19     | cylinder-head           |
| 20     | inlet valve assy        |
| 21     | Y-SEAL-10x16x4          |
| 22     | piston guider assy      |
| 23     | water seal support      |
| 24     | piston oil seal         |
| 25     | O-ring 9.8x2.4          |
| 26     | u-pin                   |
| 27     | inlet pipe              |
| 28     | Siphon head assembly    |
| 29     | bypass-kit              |
| 30     | piston guider           |

| Number | Name                             |
|--------|----------------------------------|
| 31     | venturi tube & chief valve assy  |
| 32     | piston spring                    |
| 33     | piston assy                      |
| 34     | O-ring 60x2                      |
| 35     | water outlet extension connector |
| 36     | microsw swithc assy              |
| 37     | motor cover                      |